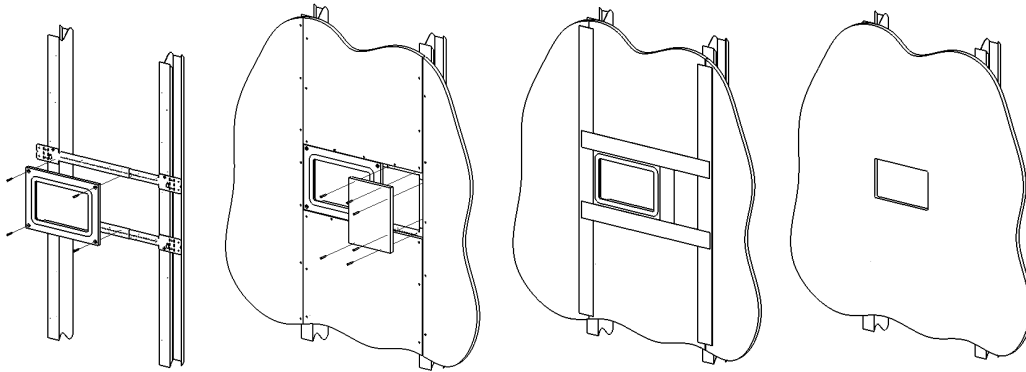




Wall-Smart wall mount installation instructions - General

D/N	10-04-00101-INS	REV.	DATE
P/N		B	15/June/2014



General

- Installs and finishes are in the same manner as drywall.
- It is recommended to be installed by a drywall specialist.
- Most Wall-Smart wall mount (unless otherwise specified) configured for installation in 12.7mm (1/2") thick clad constructions. Shimming may be required if adjacent material is not 1/2" drywall. Any Wall-Smart wall mount designed for 1/2" drywall may be installed in 5/8" drywall using "1/8" Shim pack" P/N 10-01-067 (order separately)
- In case the mounting adapter to be installed in a concrete / brick wall, first install an appropriate "WS concrete installation box" (sold separately) according installation instruction 10-04-00103-INS.

Safety

- Use a dust mask to avoid getting dust particles in your lungs.
- Wear eye protection to avoid getting dust particles in your eyes.
- Turn off the power in areas you'll be drilling to avoid electric shock.
- Use plastic or canvas drop cloths to prevent the sanding dust from damaging nearby furniture or spreading beyond your immediate work area.

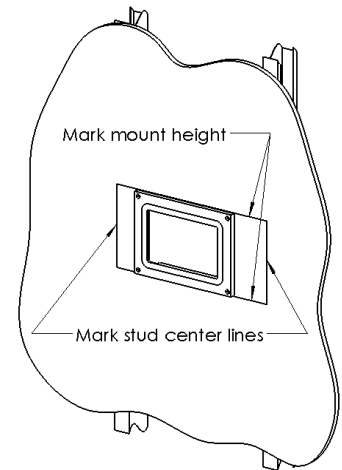
Installation Tools and materials:

- Safety goggles
- Dust mask
- Screwdriver
- Measuring tape
- Utility knife/saw
- Leveler
- Brush \ sponge roller
- Pencil
- Spatula
- Spackle tray
- Coarse Rasp
- Drywall T-square
- Taping or joint knife
- Sandpaper
- Pole Sander
- #6 bugle head screws
- Setting-type compound
- Drywall mud or joint compound
- Drywall Paper tape
- Paint
- Drywall

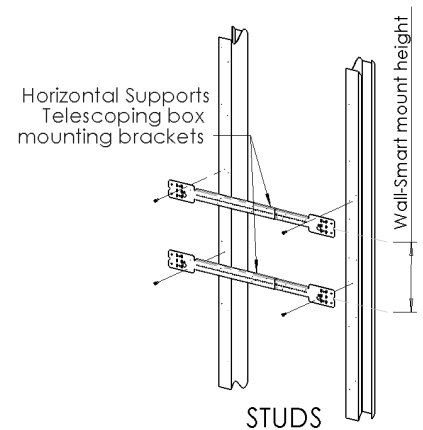
Installation procedure:

Step 1 – Cut and Place

- Determine where the Wall-Smart mount will be located.
- Wall-Smart mounts need to fit between two studs.
- When performing a retrofit work:
 - Use a stud finder to locate the studs (We suggest you use a high-quality stud finder that can detect studs, AC cables, and water pipes so that you can avoid these in-wall obstacles). Drill a pilot hole in the middle of the favorable installation position. Shut off power in the area of the drilling. Use caution when drilling, not to plunge into a pipe or electrical conduit. Next, insert a sturdy wire (such as a bent coat hanger) into the pilot hole, and explore the surrounding area, making sure there are no obstacles and there's enough room for the mount.
 - Mark using the mount, a level and a pencil the top and bottom horizontal edges of the mount on the drywall. Continue each line end to the closest stud center.
 - Cut the drywall according the top and bottom marked lines and stud centers using a utility knife or a saw.
 - Chamfer the rim of the opening using a Coarse Rasp.



- Rout adequate cabling to the installation point (in accordance with your local electric regulations).
- Wall-Smart mounts need to fit between two studs and to be installed on two horizontal supports secured to the studs. It is preferable to install the mount on two horizontal supports and at least one stud. A good choice for horizontal supports are telescoping box mounting brackets installed on stud faces without bending their fixing plates. Horizontal supports may be made on site of drywall U tracks. When performing a retrofit work, insert the horizontal supports half way under the top and bottom drywall edges of the opening.

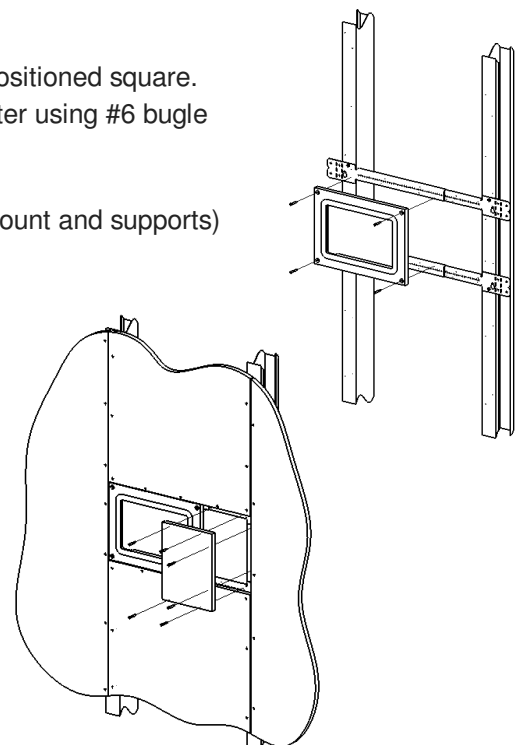


Pay attention UP/DOWN orientation of the adapter according to arrow marked on the back side of the adapter.

- Fit the Wall-Smart mount into the opening and ensuring it is positioned square.
- Fix Wall-Smart mount through the holes located on its perimeter using #6 bugle head screws.

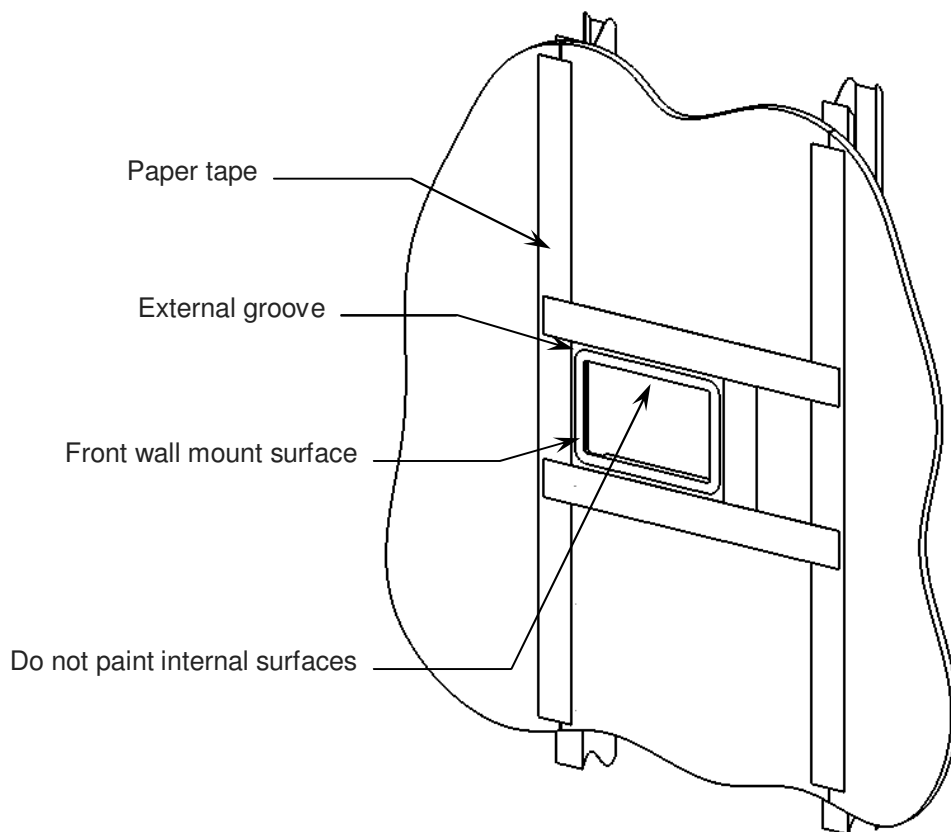
(**Good practice:** Apply construction adhesive between wall mount and supports)

- Cut appropriate drywall pieces and plug voids on the mount sides. Where the panels meet, cut a V-groove into the short untapered ends with a utility knife, as this will make hiding the joint easier when you're taping.
- Secure all drywall edges to the studs and the horizontal supports.



Step 2 - Mud and tape

- Ensure that the front surface of the mount is aligned with the drywall and that all of the screws are flush with surface of the drywall.
- Before applying tape, fill gaps with setting-type compound.
- Perform standard mud and tape drywall joining procedure. Mud & tape drywall joining procedure depends on local materials available and local climate. However, best practice would be as follows:
 - Apply setting-type compound to gaps between adapter and drywall.
 - Apply fine premixed drywall joint compound and drywall paper tape.
 - Let the setting-type compound and joint compound + paper tapes to dry over night.
 - Apply 1st drywall joint compound layer and let dry over night.
 - Sand to reveille front wall mount surface.
 - Apply 2nd drywall joint compound layer and let dry over night.
 - Sand to reveille front wall mount surface.
 - In some cases as 3rd drywall joint compound layer is required.
- Do not apply drywall compound to front surface.
- Apply drywall compound to external groove only.
- Sand excess drywall compound to reveille front wall mount surface.



Step 3 – Painting

- Do not paint internal surfaces!
- Paint and painting procedure are in the same manner as drywall painting.
- Paint the number of coats necessary to achieve the desired coverage and texture.

Good practice: In case of any finish imperfections found around the installed wall mount (after paint), you may apply some acrylic wall putty, gently sand and paint again.