



Model: WS IN-WALL MOUNT FOR SONOS BEAM EU&IL BLACK/WHITE

Model No.: 085-1-347-EBL/EWH

Family: WALL-SMART

DWG NO. 085-4-347-E-SPC

PRODUCT SPEC.

REVISION B

DATE 16/FEB/2022



Make Your Wall Smart

“WS IN-WALL MOUNT FOR SONOS BEAM ” - Product description:

The “WS IN-WALL MOUNT FOR SONOS BEAM” is an adapter for in-wall nearly flush installation of a SONOS Beam sound bar.

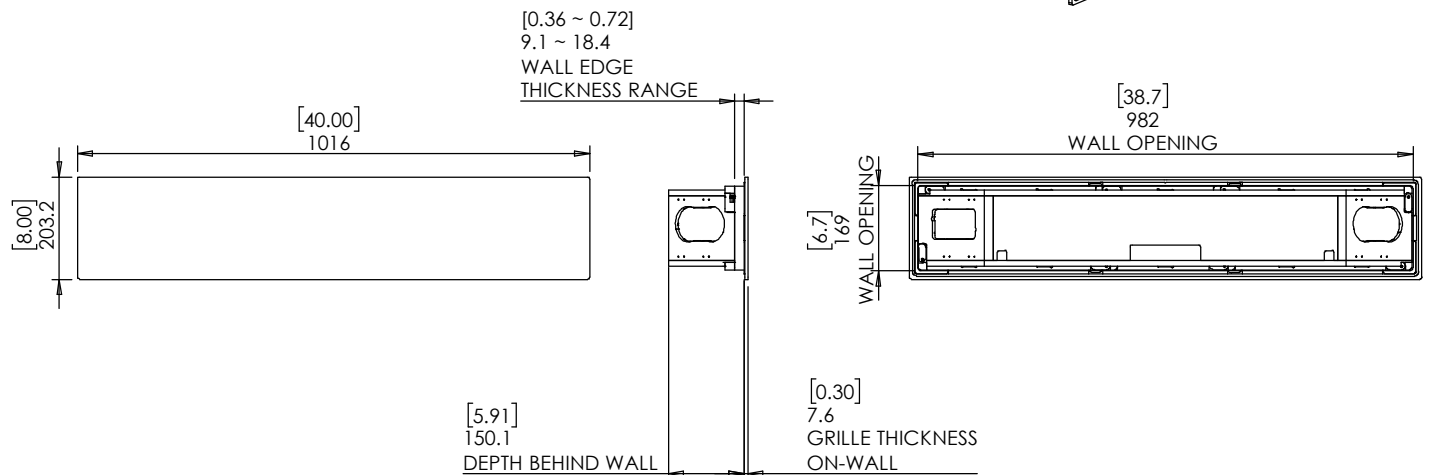
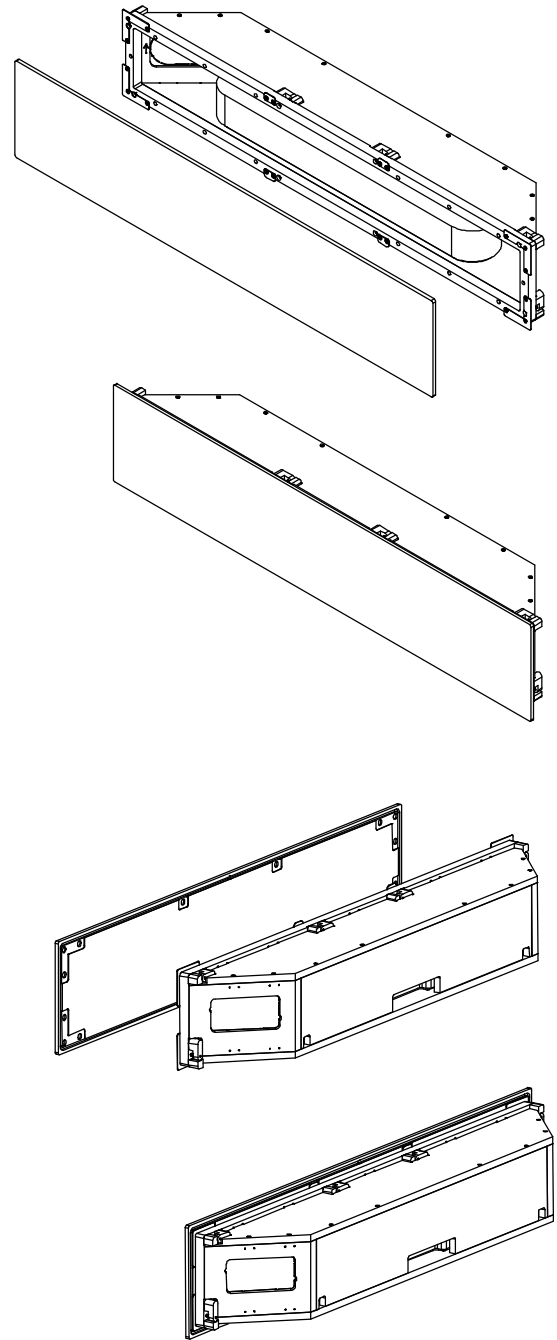
The “WS IN-WALL MOUNT FOR SONOS BEAM” conceals the sound bar while allowing easy access, removal and operation.

Key features and benefits:

- Nearly flush with the wall (7.6mm [0.3"] thick on-wall grille).
- Allows easy insertion and removal of the sound bar.
- Wall adapter includes knockouts to install EU or IL backboxes and sockets (See page 4 for backbox installation instructions)
(To install a US or UK backbox use 085-1-347-UBL/UWH “WS IN-WALL MOUNT FOR SONOS BEAM US&UK BLACK/WHITE”)
- Wall adapter is designed for the use with the following backboxes:
 - EU – VIMAR V71704 4M flush mount box (or equivalent)
 - IL – 4 module GEWISS compatible drywall back box
- Wall adapter is designed for High Fidelity audio output
- Grille is supplied white (EWH) or black (EBL)
- Grille is made with high quality acoustic and IR transparent fabric
- Grille attaches magnetically to the wall mount base
- Wall Board thickness may be 9.1mm[0.36"] up to 18.4mm[0.72"]
- Designed for the use with Beam sound bar (by SONOS)(not included)
- Wall adapter is supplied unassembled (See page 3 for instructions)
- See page 2 for package content

Key properties:

- Dimensions: (W/H/D): 1016mm (40")/203.2mm (8")/ 157.7mm (6.21")
- Weight: 4.3Kg, 9.5lbs.
- Material: Moisture resistant MDF (compliant with TSCA Title VI)





Model: WS IN-WALL MOUNT FOR SONOS
BEAM EU&IL BLACK/WHITE

Family: WALL-SMART

DWG NO. 085-4-347-E-SPC



Model No.: 085-1-347-EBL/EWH

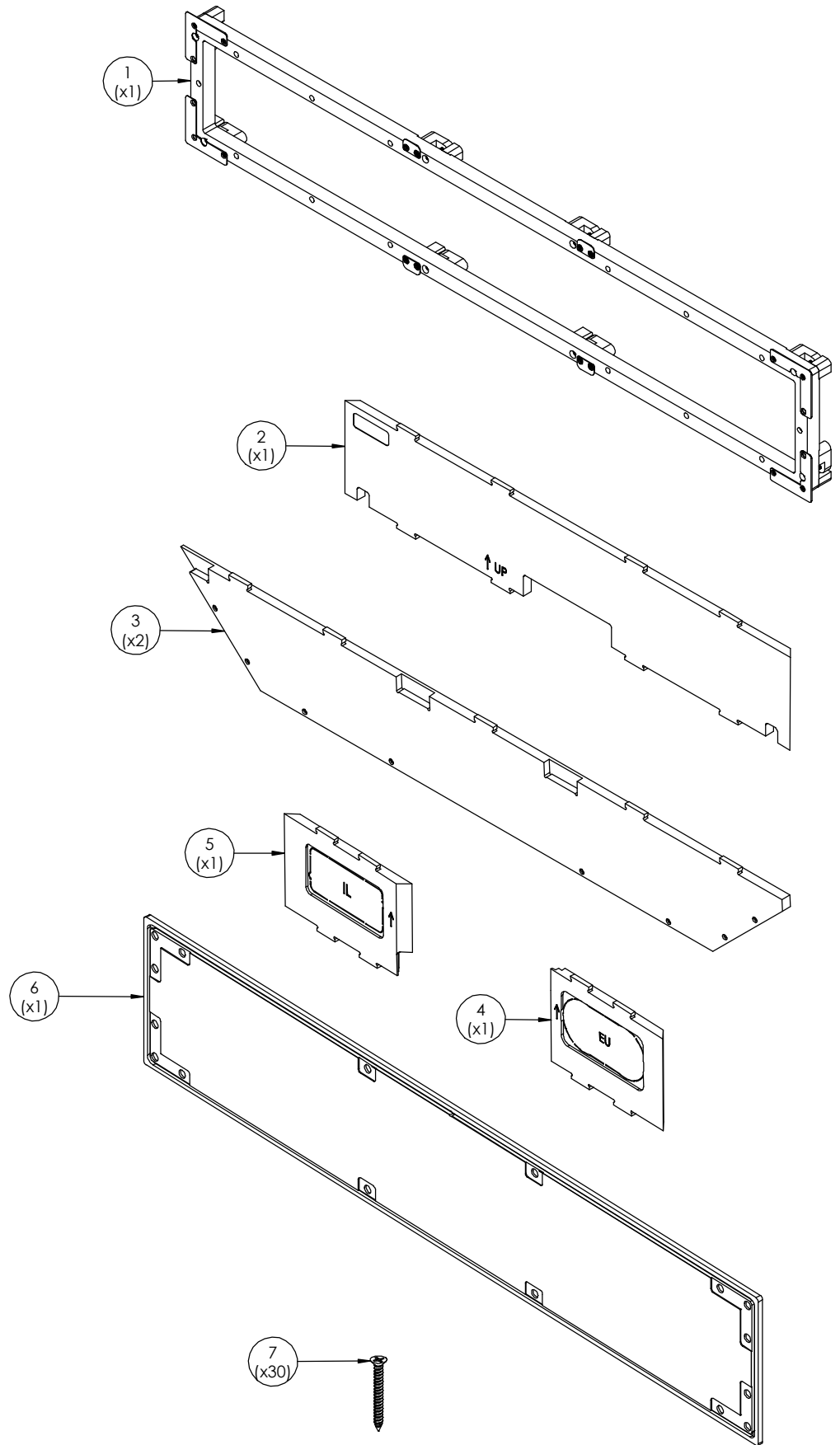
PRODUCT SPEC.

REVISION B

DATE 16/FEB/2022

Adapter kit contains:

- 1. Front frame (X1)
- 2. Back wall (X1)
- 3. Top/Bottom wall (X2)
- 4. Side wall EU (X1)
- 5. Side wall IL (X1)
- 6. Grille (X1)
- 7. ST3x25 screws (X30)





Model: WS IN-WALL MOUNT FOR SONOS
BEAM EU&IL BLACK/WHITE

Family: WALL-SMART

DWG NO. 085-4-347-E-SPC

Model No.: 085-1-347-EBL/EWH

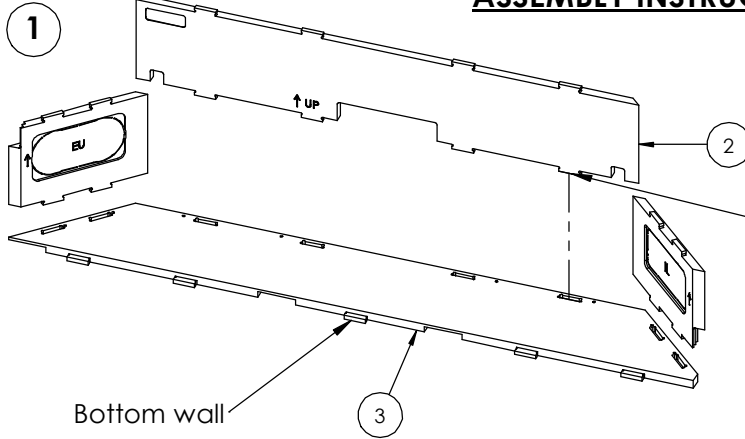
PRODUCT SPEC.

REVISION B

DATE 16/FEB/2022

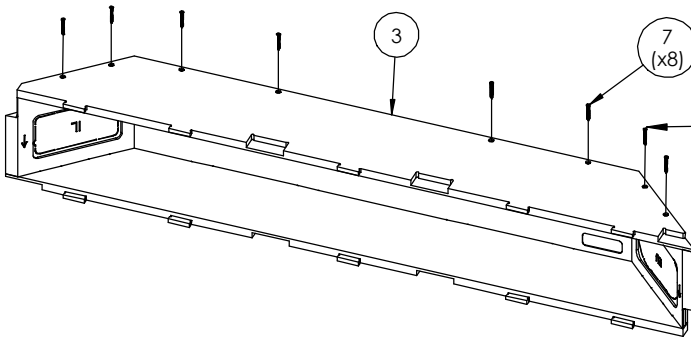
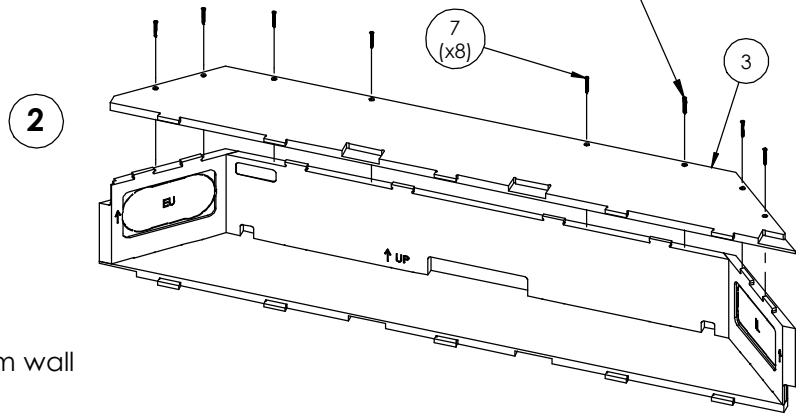


ASSEMBLY INSTRUCTIONS



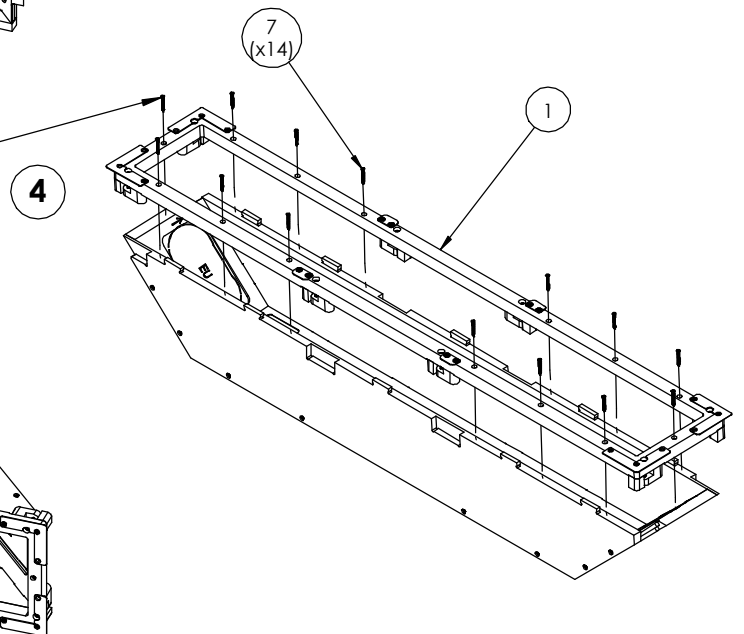
Insert components 2,4 & 5 into the Bottom wall (item 3)

Insert & screw Top wall (item 3) using 8 screws (item 7)



Screw in Bottom wall (item 3) using 8 screws (item 7)

Insert & screw Front frame (item 1) using 14 screws (item 7)





Model: WS IN-WALL MOUNT FOR SONOS
BEAM EU&IL BLACK/WHITE

Family: WALL-SMART

DWG NO. 085-4-347-E-SPC

Model No.: 085-1-347-EBL/EWH

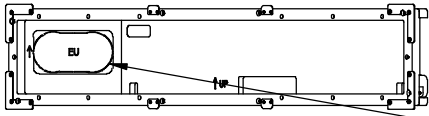
PRODUCT SPEC.

REVISION B

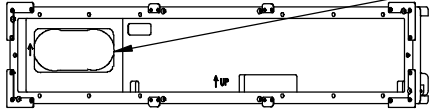
DATE 16/FEB/2022



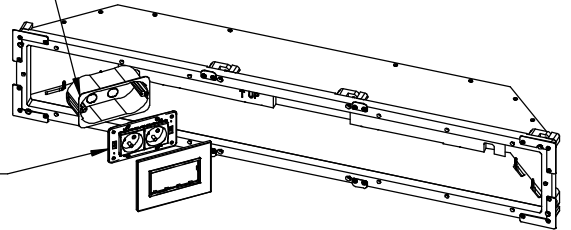
EU BACKBOX AND SOCKETS INSTALLATION



1. REMOVE EU KNOCKOUT

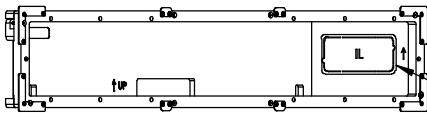


2. INSTALL A VIMAR
V71704 4M FLUSH MOUNT
BOX (OR EQUIVALENT)

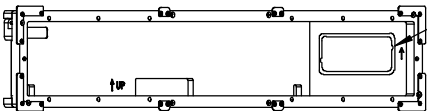


3. INSTALL SOCKETS

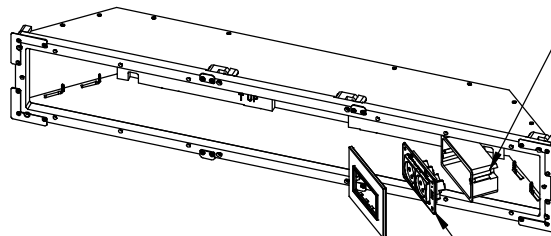
IL BACKBOX AND SOCKETS INSTALLATION



1. REMOVE IL KNOCKOUT



2. INSTALL A GEWISS COMPATIBLE 4
MODULE DRYWALL BACKBOX



3. INSTALL OUTLETS



Model: WS IN-WALL MOUNT FOR SONOS
BEAM EU&IL BLACK/WHITE

Family: WALL-SMART

DWG NO. 085-4-347-E-SPC

Model No.: 085-1-347-EBL/EWH

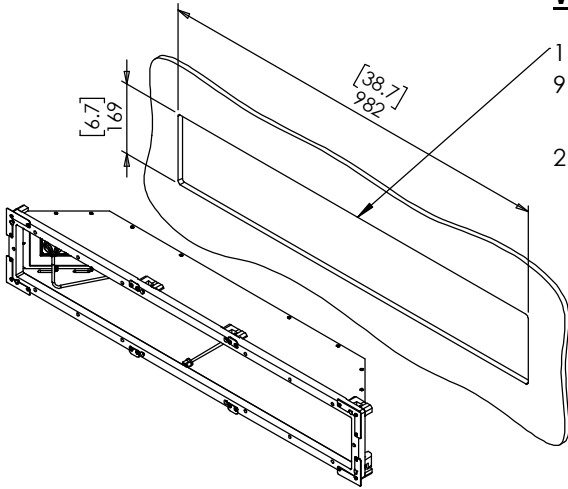
PRODUCT SPEC.

REVISION B

DATE 16/FEB/2022

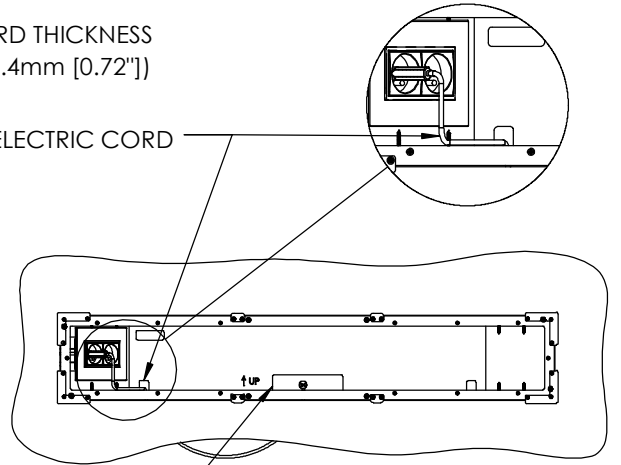


WALL INSTALLATION



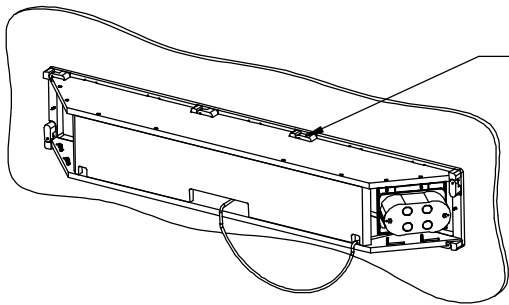
1. CUT OPENING (BOARD THICKNESS
9.1mm [0.36"] UP TO 18.4mm [0.72"])

2. ROUTE SOUND BAR ELECTRIC CORD

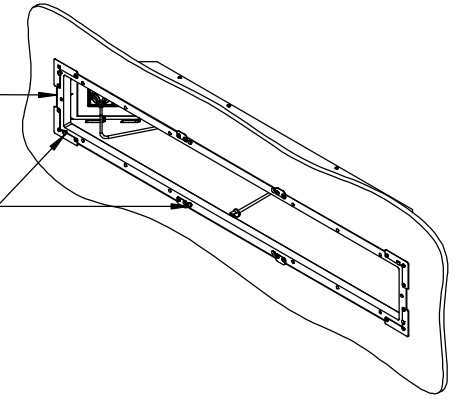


3. ROUTE SOUND BAR MEDIA CABLES

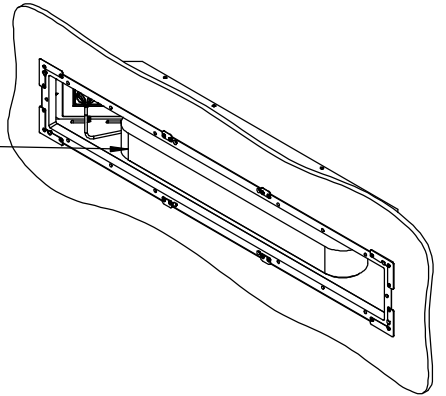
4. INSERT WALL SMART®
WALL MOUNT BASE



5. GENTLY SCREW CLOCKWISE 8
RETENTION SCREWS UNTIL DOG
EARS RETAIN THE UNIT



6. CONNECT SOUND BAR
AND PLACE IT IN THE
WALL MOUNT



7. ATTACH GRILLE MAGNETICALLY

