



Model: WS RETROFIT Uni-INwall L

Family: WALL-SMART

DWG NO. 083-4-967-SPC

Model No.: 083-1-967

PRODUCT SPEC.

REVISION A

DATE 3/JAN/2024



Make Your Wall Smart

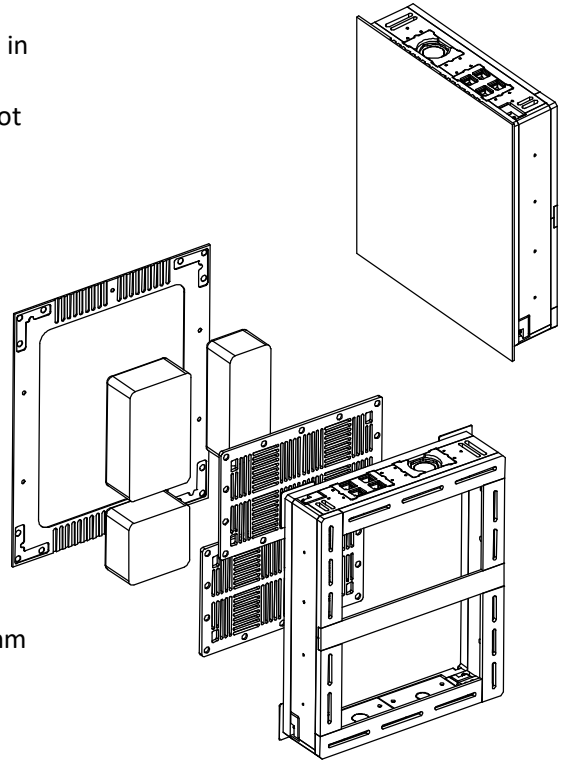
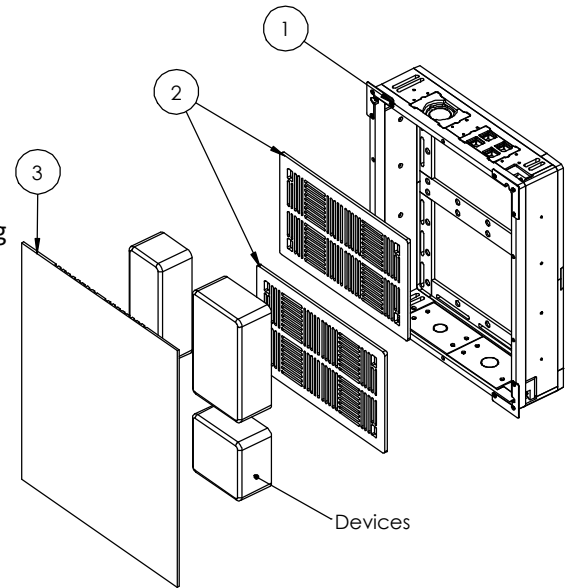
“WS RETROFIT Uni-INwall L” - Product description:

The “WS RETROFIT Uni-INwall L” is an adapter for in-wall nearly flush installation of devices measuring up to 410X335X84mm in size.

The “WS RETROFIT Uni-INwall L” firmly mounts the devices while allowing easy insertion, removal and operation.

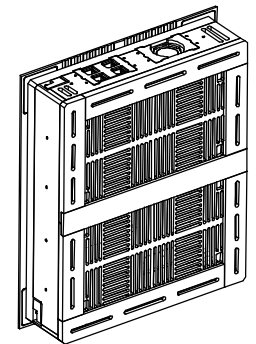
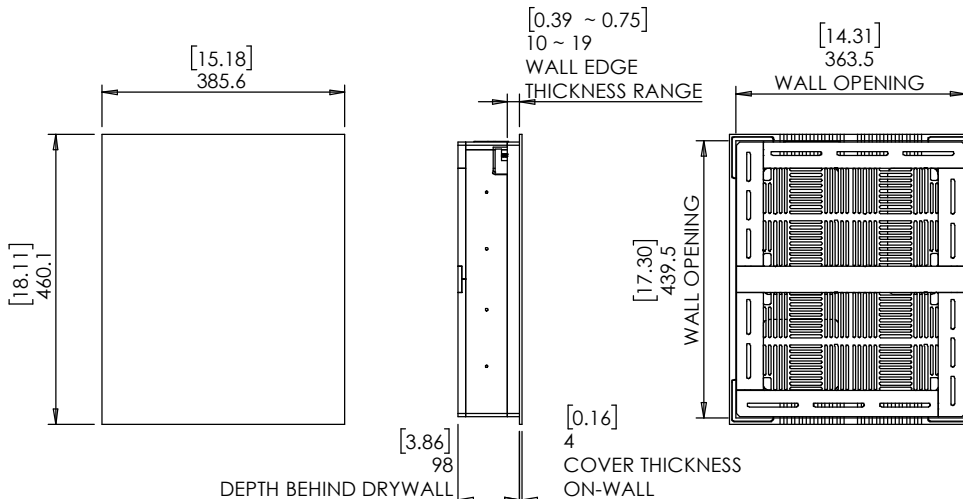
Key features and benefits:

- Nearly flush with the wall (4mm [0.16"] thick on-wall cover).
- Allows easy insertion and removal of the device.
- Cover attaches magnetically to the retrofit wall mount base.
- Cover is supplied painted white.
- Cover includes hidden ventilation grilles.
- Board thickness 10mm[0.39"] up to 19mm[0.75"].
- Designed for the use with devices measuring up to 410X335X84mm in size (not included).
- Allows installation of Hubbel-raco 420 switch box (or equivalent) (not included).
- Includes inner interchangeable side plates.
- Inner interchangeable side plates enable installation of:
 - Up to 4 keystone inserts (not included)
 - ½", ¾", 1" conduit connectors (not included)
- Adapter kit contains:
 1. Wall adapter (x1)
 2. Device adapter (x2)
 3. Cover (X1)
 (Items 4-10 see next page)



Key properties:

- Dimensions: (W/H/D): 386.2mm (15.20")/ 460.7mm (18.14")/ 102mm (4.02")
- Weight: 2.7Kg, 5.9lbs.
- Material: Moisture resistant MDF (compliant with TSCA Title VI)





Model: WS RETROFIT Uni-INwall L

Family: WALL-SMART

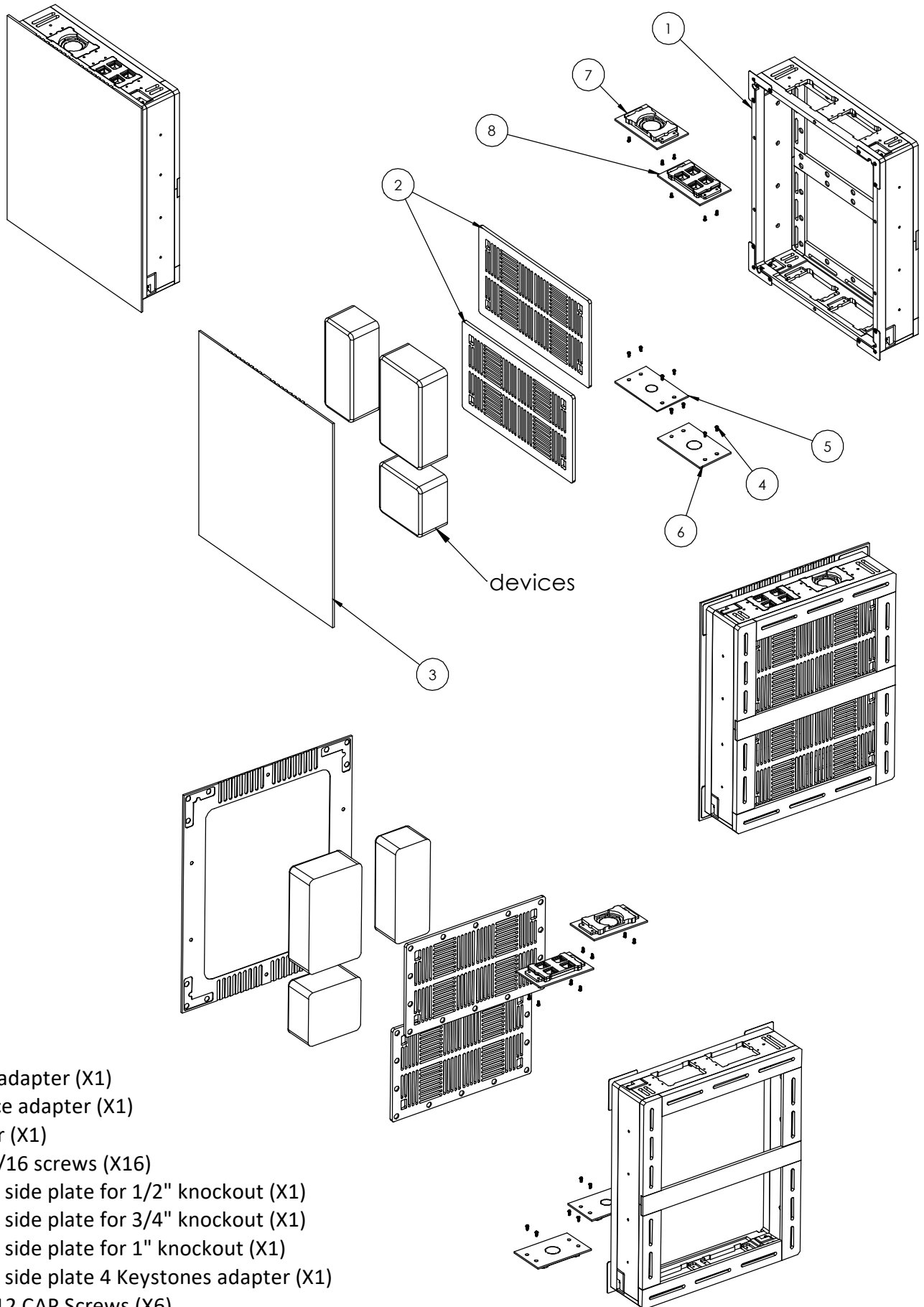
DWG NO. 083-4-967-SPC

Model No.: 083-1-967

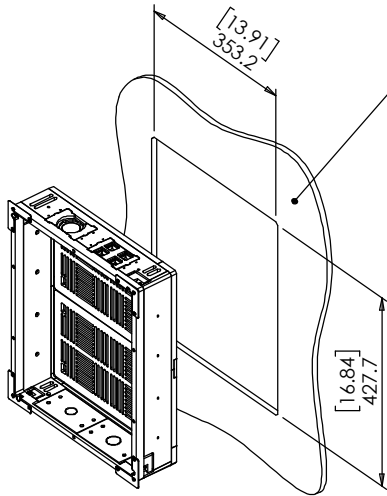
PRODUCT SPEC.

REVISION A

DATE 3/JAN/2024



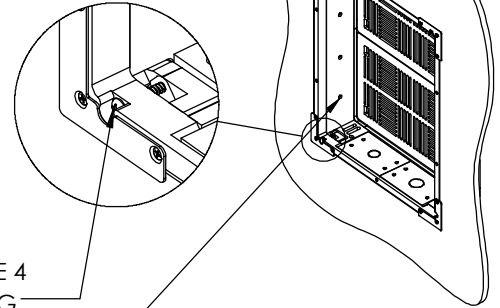
1. Wall adapter (X1)
2. Device adapter (X1)
3. Cover (X1)
4. #6X5/16 screws (X16)
5. Inner side plate for 1/2" knockout (X1)
6. Inner side plate for 3/4" knockout (X1)
7. Inner side plate for 1" knockout (X1)
8. Inner side plate 4 Keystones adapter (X1)
9. M4X12 CAP Screws (X6)
10. M4 nuts (X6)



1. CUT OPENING - Board thickness: 10mm[0.39"] up to 19mm[0.75"].

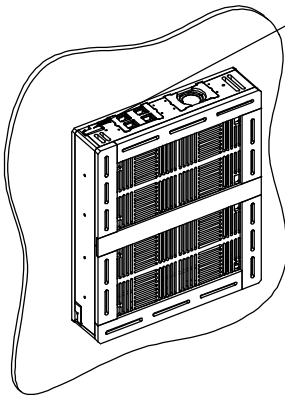
2. ROUTE NECESSARY CABLES

3. INSERT WALL MOUNT BASE

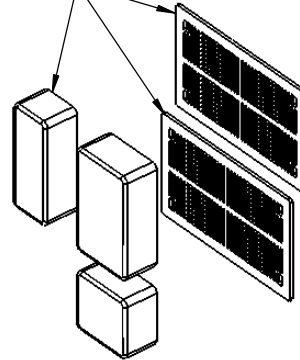


4. GENTLY SCREW CLOCKWISE 4 RETENTION SCREWS UNTIL DOG EARS RETAIN THE UNIT.

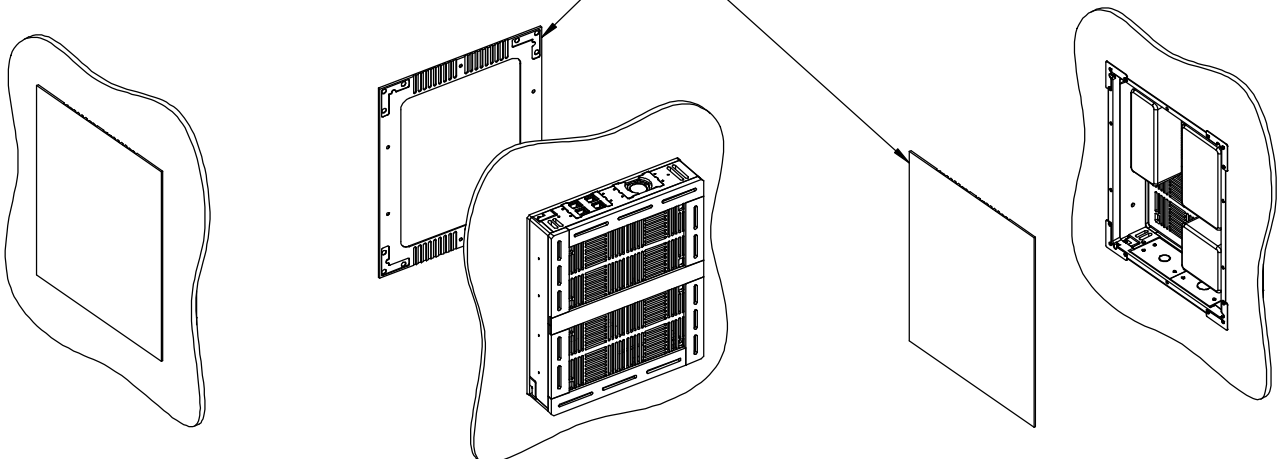
OPTIONALLY, RETAIN THE MOUNT USING DRYWALL SCREWS THREW THE SCREW HOLES ON THE SIDE WALLS.



5. ATTACH THE DEVICES TO THE ADAPTER PLATES



6. ATTACH COVER (MAGNETICALLY)





Model: WS RETROFIT Uni-INwall L

Family: WALL-SMART

DWG NO. 083-4-967-SPC

Model No.: 083-1-967

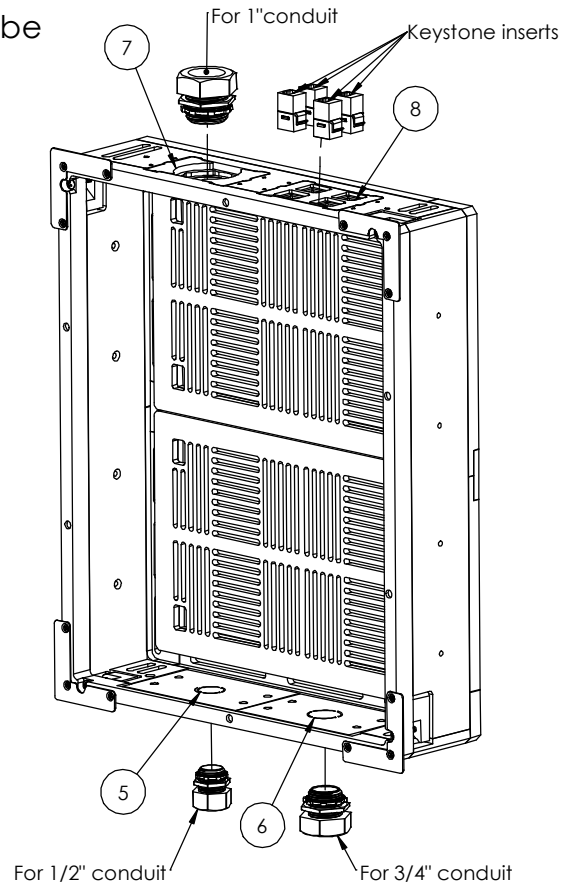
PRODUCT SPEC.

REVISION A

DATE 3/JAN/2024



Inner side plates are interchangeable and may be swapped places within themselves.



INSTALLTION OF HUBBEL-RACO 420 SWITCH BOX (OR EQUIVALENT) AND RECEPTACLE

To inatall back box & receptacle, remove one of the inner side plates and assemble the back box using the 4 screws removed from the side plate.

