



Model: WS NC Uni-INwall M

Family: WALL-SMART

DWG NO. 083-4-964-SPC

Model No.: 083-1-964

PRODUCT SPEC.

REVISION A

DATE 3/JAN/2024



Make Your Wall Smart

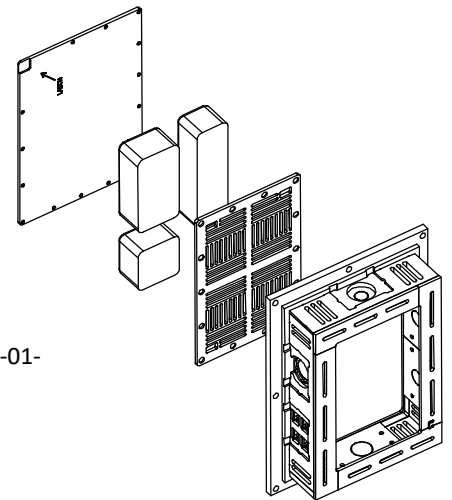
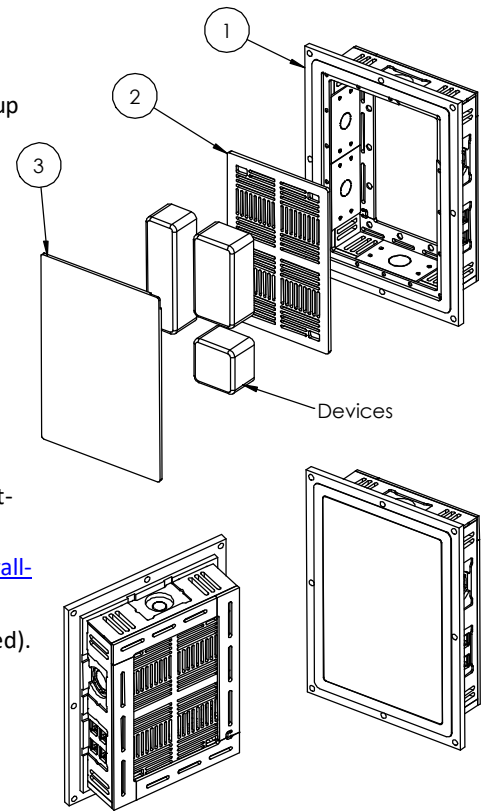
“WS NC Uni-INwall M” - Product description:

The “WS NC Uni-INwall M” is an adapter for in-wall flush installation of devices measuring up to 213X313X76mm in size.

The “WS NC Uni-INwall M” firmly mounts the device allowing easy access, insertion and operation.

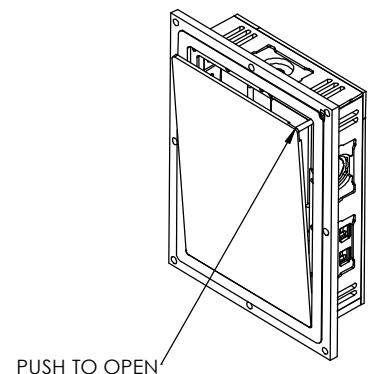
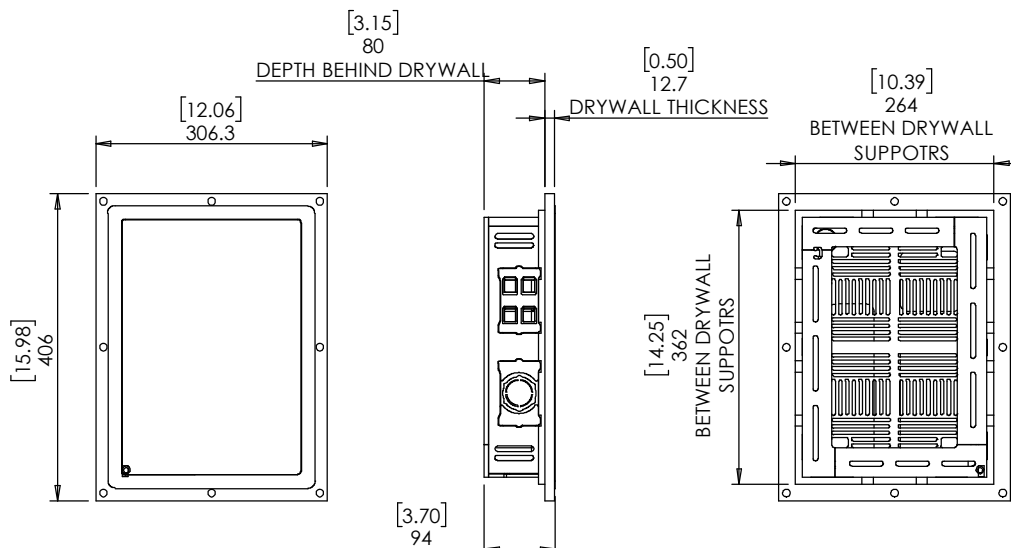
Key features and benefits:

- Flush with the wall.
- Paintable with the wall paint in any color and texture.
- Allows easy insertion and removal of the device.
- The adapter is supplied unpainted (To be painted after installation as part of the wall).
- Designed to be installed in ½” drywall. Installation of the Wall-Smart adapter is straightforward. Installation process is similar to drywall construction procedures. Before installation, read Wall-Smart installation instruction 10-04-00101-INS in <http://www.wall-smart.com/faq>
- Designed for the use with devices measuring up to 213X313X76mm in size (not included).
- Allows installation of Hubbel-raco 420 switch box (or equivalent) (not included).
- Includes inner interchangeable side plates.
- Inner interchangeable side plates enable installation of:
 - Up to 4 keystone inserts (not included)
 - ½”, ¾”, 1” conduit connectors (not included)
- Adapter kit contains:
 1. Wall adapter (x1)
 2. Device adapter (x1)
 3. Cover (X1)
 (Items 4-10 see next page)



Key properties:

- Dimensions: (W/H/D): 306.3mm (12.06”)/ 406mm (15.89”)/ 94mm (3.70”)
- Weight: 1.97Kg, 4.4lbs.
- Material: Moisture resistant MDF (compliant with TSCA Title VI)
- To be installed in ½” drywall (for installation in 5/8” drywall use 1/8” shim pack P/N 10-01-067 (sold separately)).





Model: WS NC Uni-INwall M

Family: WALL-SMART

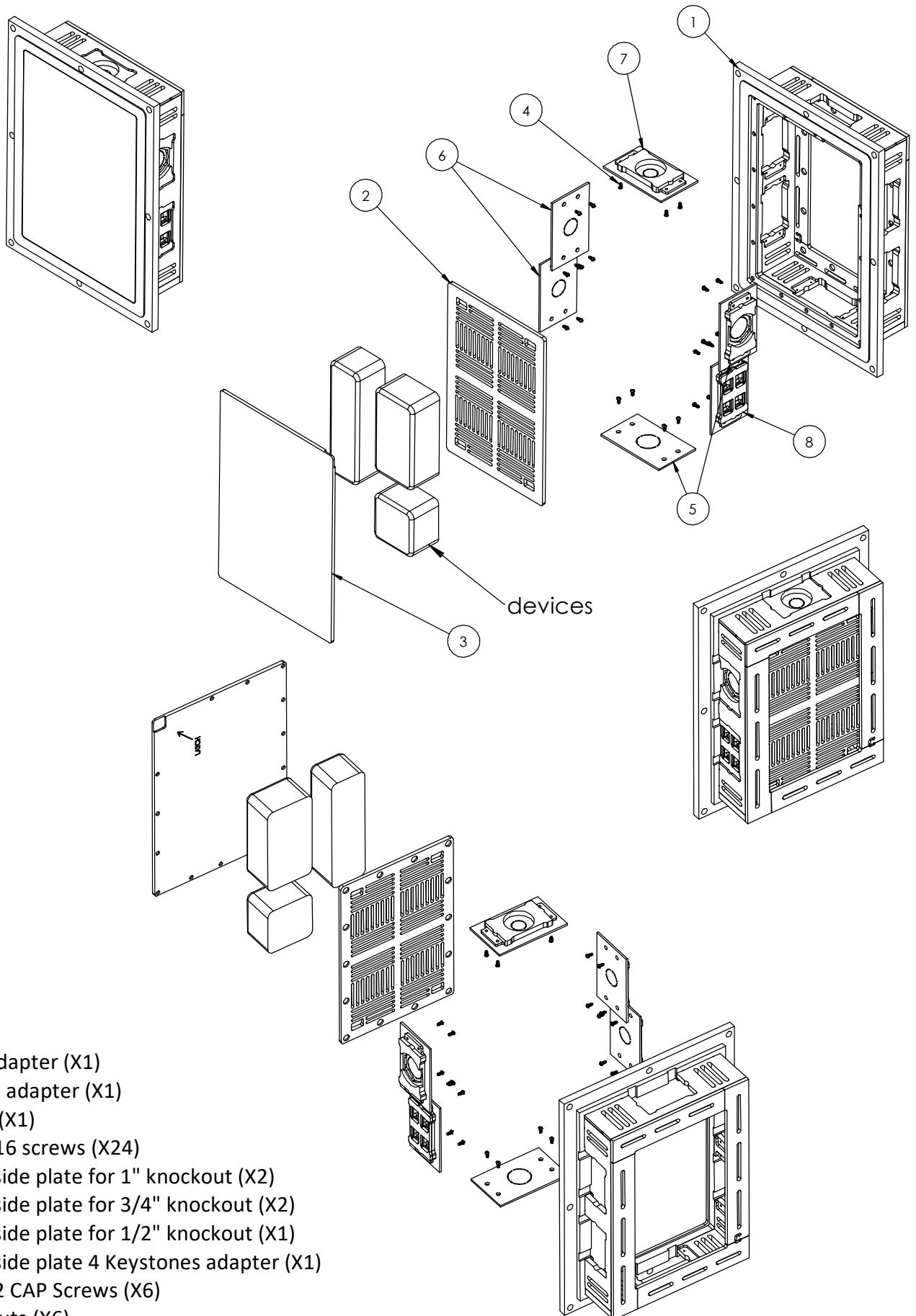
DWG NO. 083-4-964-SPC

Model No.: 083-1-964

PRODUCT SPEC.

REVISION A

DATE 3/JAN/2024



- 1. Wall adapter (X1)
- 2. Device adapter (X1)
- 3. Cover (X1)
- 4. #6X5/16 screws (X24)
- 5. Inner side plate for 1" knockout (X2)
- 6. Inner side plate for 3/4" knockout (X2)
- 7. Inner side plate for 1/2" knockout (X1)
- 8. Inner side plate 4 Keystones adapter (X1)
- 9. M4X12 CAP Screws (X6)
- 10. M4 nuts (X6)



Model: WS NC Uni-INwall M

Family: WALL-SMART

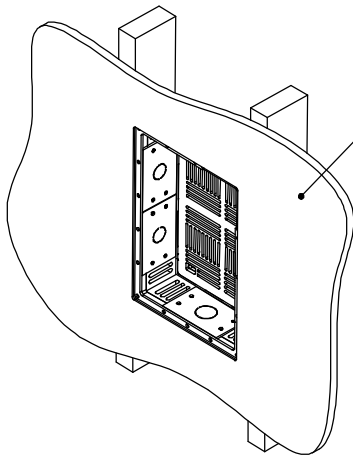
DWG NO. 083-4-964-SPC

Model No.: 083-1-964

PRODUCT SPEC.

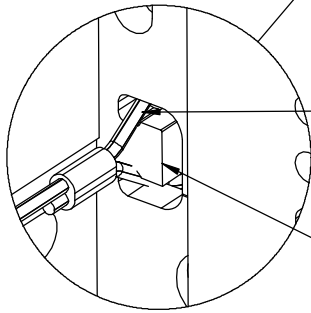
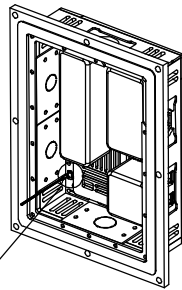
REVISION A

DATE 3/JAN/2024



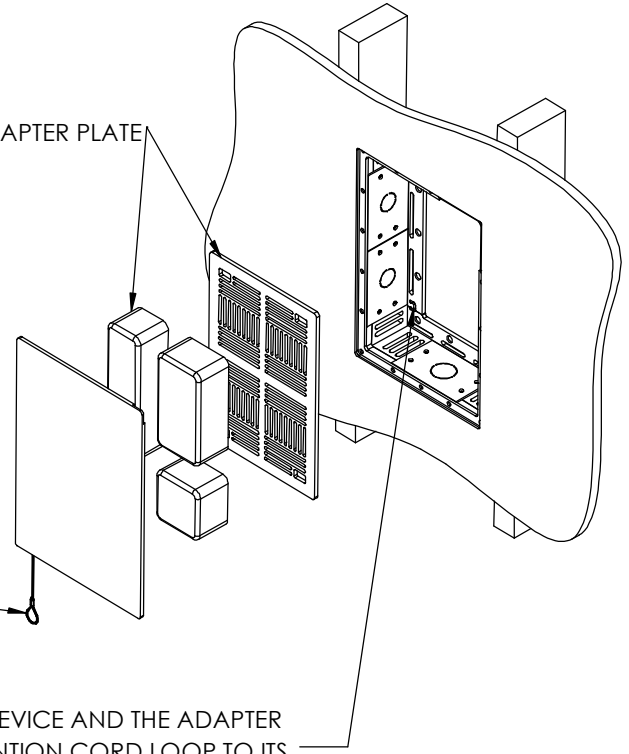
1. INSTALL THE MOUNT IN DRYWALL ACCORDING TO INSTALLATION INSTRUCTION 10-04-00101-INS IN <http://www.wall-smart.com/faq>

2. ATTACH THE DEVICE TO THE ADAPTER PLATE

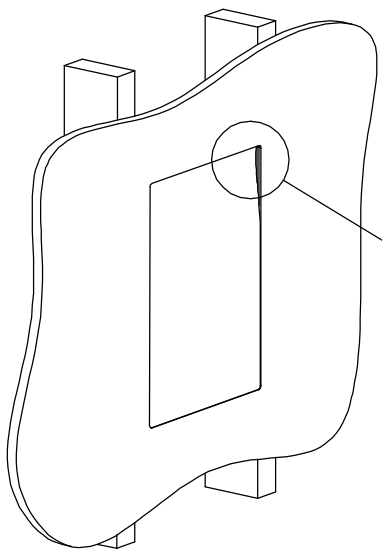


RETENTION CORD

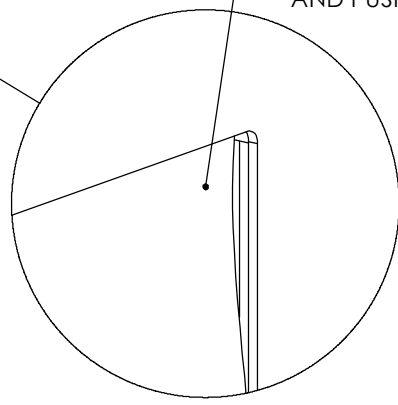
BEFORE INSERTING THE DEVICE AND THE ADAPTER PLATE, ATTACH THE RETENTION CORD LOOP TO ITS HOOK AT THE MOUNT BASE.



3. INSERT THE DEVICE AND THE ADAPTER PLATE INTO THE MOUNT



4. ATTACH COVER (MAGNETICALLY) AND PUSH THE CORNER TO CLOSE





Model: WS NC Uni-INwall M

Family: WALL-SMART

DWG NO. 083-4-964-SPC

Model No.: 083-1-964

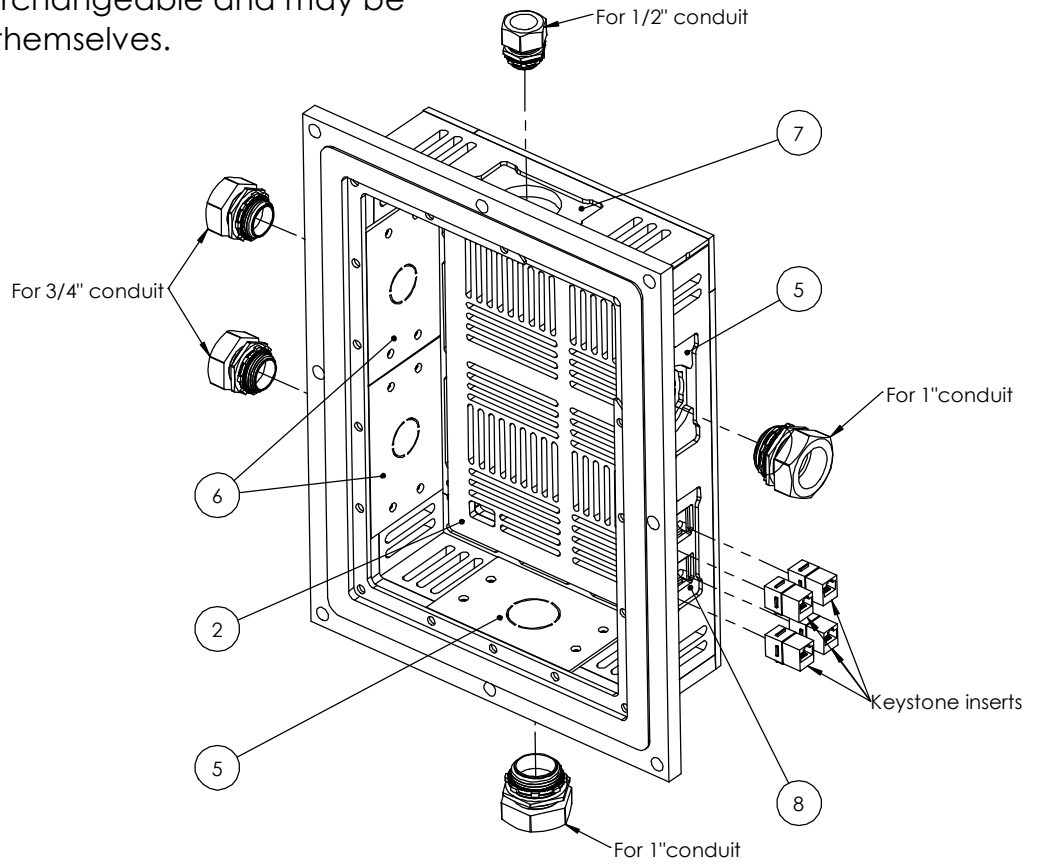
PRODUCT SPEC.

REVISION A

DATE 3/JAN/2024



Inner side plates are interchangeable and may be swapped places within themselves.



INSTALLTION OF HUBBEL-RACO 420 SWITCH BOX (OR EQUIVALENT) AND RECEPTACLE

To inatall back box & receptacle, remove one of the inner side plates and assemble the back box using the 4 screws removed from the side plate.

