



Model: WS RETROFIT Uni-INwall S

Family: WALL-SMART

DWG NO. 083-4-963-SPC

Model No.: 083-1-963

PRODUCT SPEC.

REVISION A

DATE 30/JULY/2023



Make Your Wall Smart

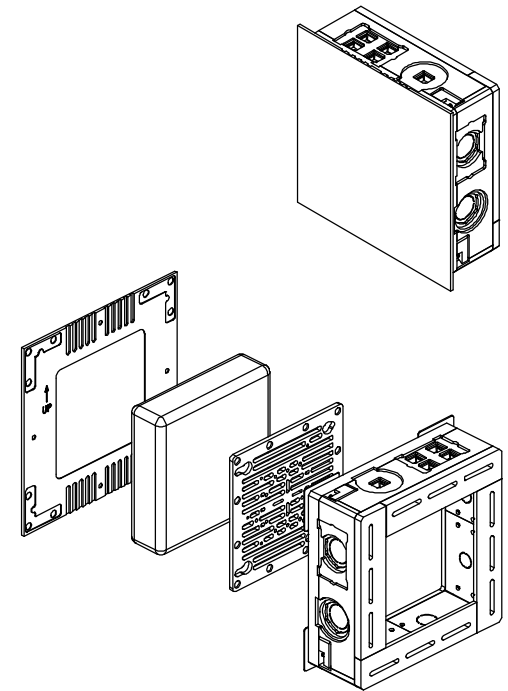
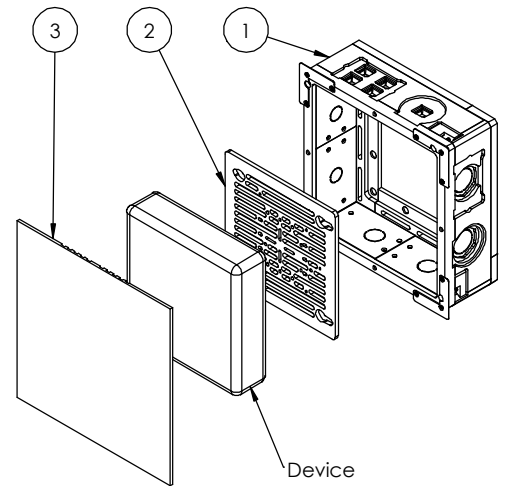
“WS RETROFIT Uni-INwall S” - Product description:

The “WS RETROFIT Uni-INwall S” is an adapter for in-wall nearly flush installation of devices measuring up to 224X224X84mm in size.

The “WS RETROFIT Uni-INwall S” firmly mounts the device while allowing easy insertion, removal and operation.

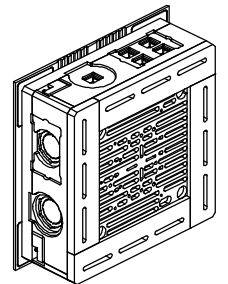
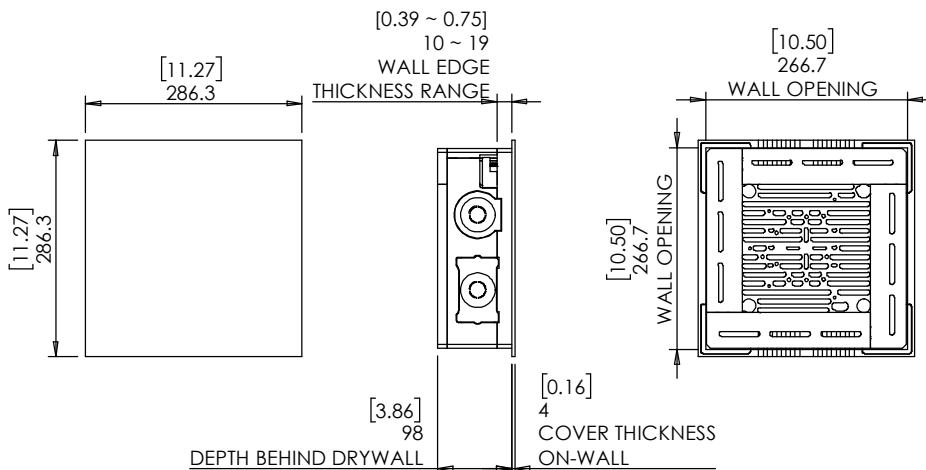
Key features and benefits:

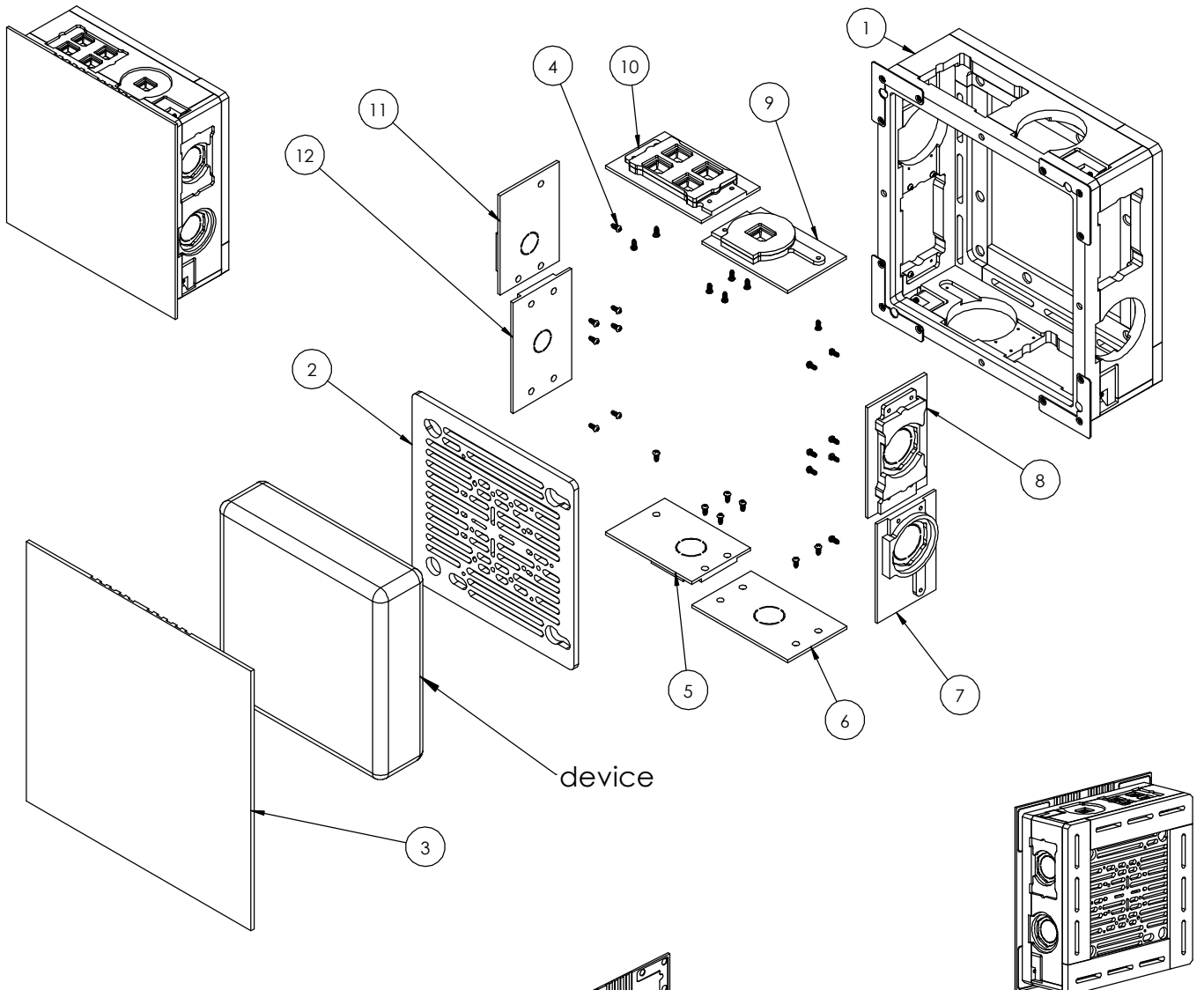
- Nearly flush with the wall (4mm [0.16"] thick on-wall cover).
- Allows easy insertion and removal of the device.
- Cover attaches magnetically to the retrofit wall mount base.
- Cover is supplied painted white.
- Cover includes hidden ventilation grilles.
- Board thickness 10mm [0.39"] up to 19mm [0.75"].
- Designed for the use with devices measuring up to 224X224X84mm in size (not included).
- Allows installation of Hubbel-raco 420 switch box (or equivalent) (not included).
- Includes inner interchangeable side plates.
- Inner interchangeable side plates enable installation of:
 - Up to 5 keystone inserts (not included)
 - ½" , ¾" & 1" conduit knockouts (2 of each)
- Adapter kit contains:
 1. Wall adapter (x1)
 2. Device adapter (x1)
 3. Cover (X1)
 (Items 4-16 see next page)



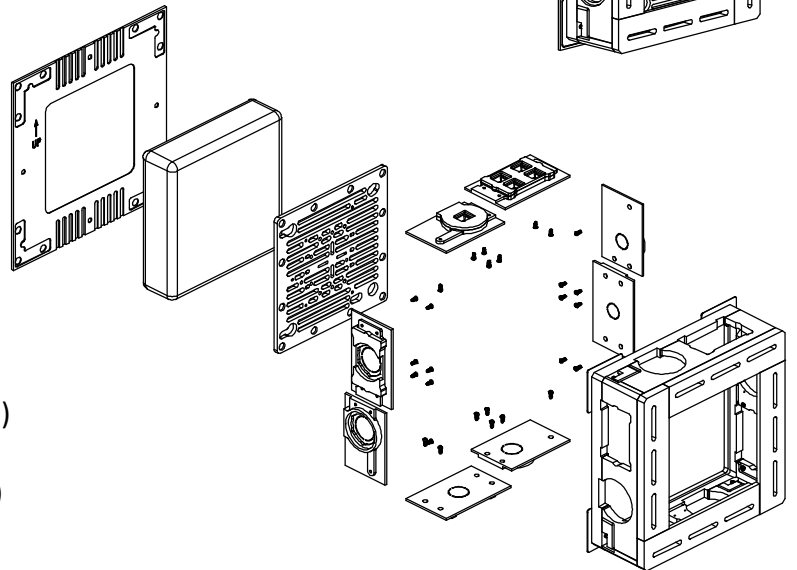
Key properties:

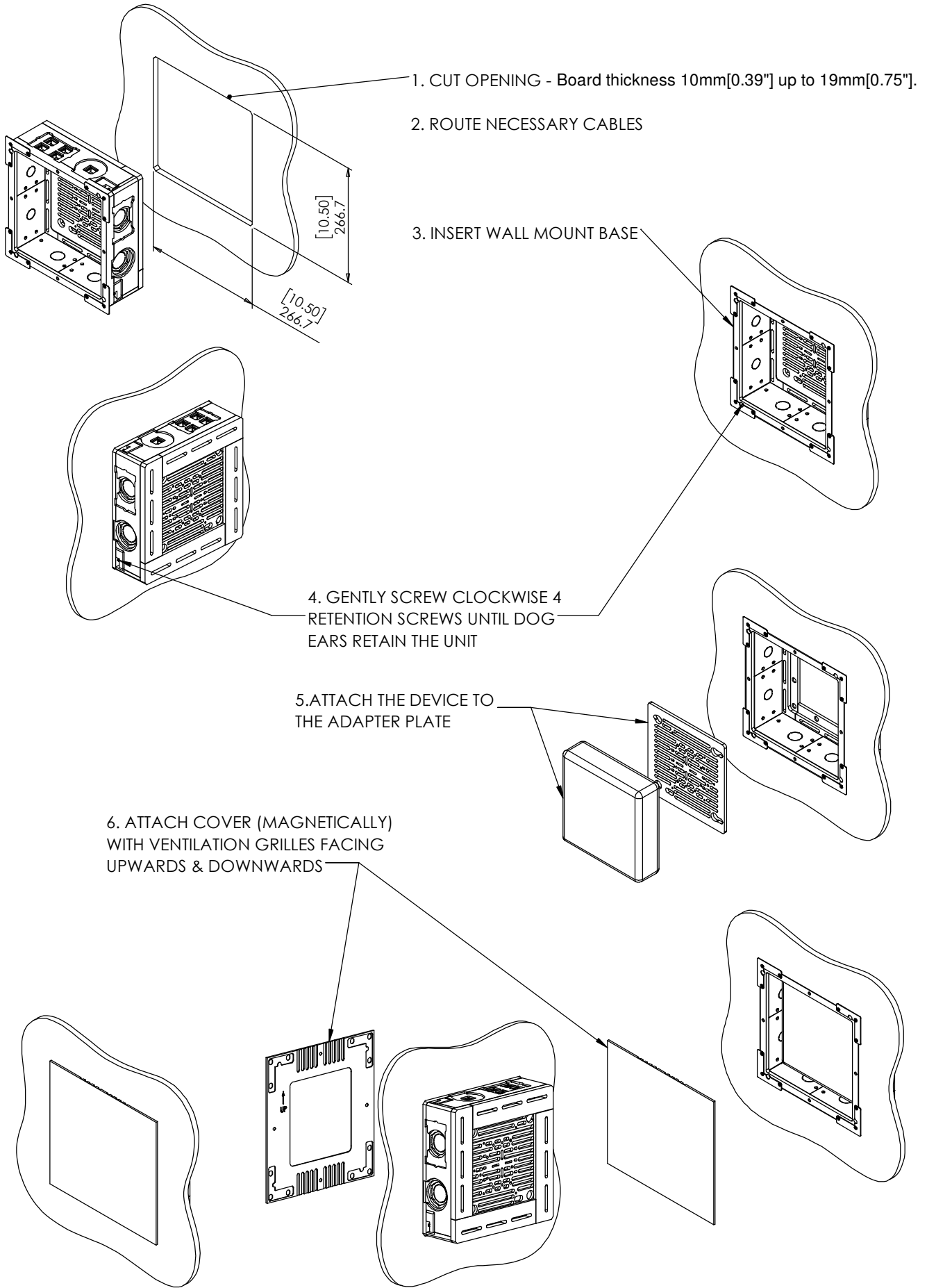
- Dimensions: (W/H/D): 286.3mm (11.27")/ 286.3mm (11.27")/ 102mm (4.02")
- Weight: 1.8Kg, 4lbs.
- Material: Moisture resistant MDF (compliant with TSCA Title VI)





1. Wall adapter (X1)
2. Device adapter (X1)
3. Cover (X1)
4. #6X5/16 screws (X28)
5. Small inner side plate for 3/4" knockout (X1)
6. Inner side plate for 3/4" knockout (X1)
7. Small inner side plate for 1" knockout (X1)
8. Inner side plate for 1" knockout (X1)
9. Small inner side plate 1 Keystone adapter (X1)
10. Inner side plate 4 Keystones adapter (X1)
11. Small inner side plate for 1/2" knockout (X1)
12. Inner side plate for 1/2" knockout (X1)
13. M4X12 CAP Screws (X6)
14. M4 nuts (X6)
15. M3X12 flat head (X5)
16. M3 nuts (X5)





1. CUT OPENING - Board thickness 10mm[0.39"] up to 19mm[0.75"].

2. ROUTE NECESSARY CABLES

3. INSERT WALL MOUNT BASE

4. GENTLY SCREW CLOCKWISE 4 RETENTION SCREWS UNTIL DOG EARS RETAIN THE UNIT

5. ATTACH THE DEVICE TO THE ADAPTER PLATE

6. ATTACH COVER (MAGNETICALLY) WITH VENTILATION GRILLES FACING UPWARDS & DOWNWARDS



Model: WS RETROFIT Uni-INwall S

Family: WALL-SMART

DWG NO. 083-4-963-SPC



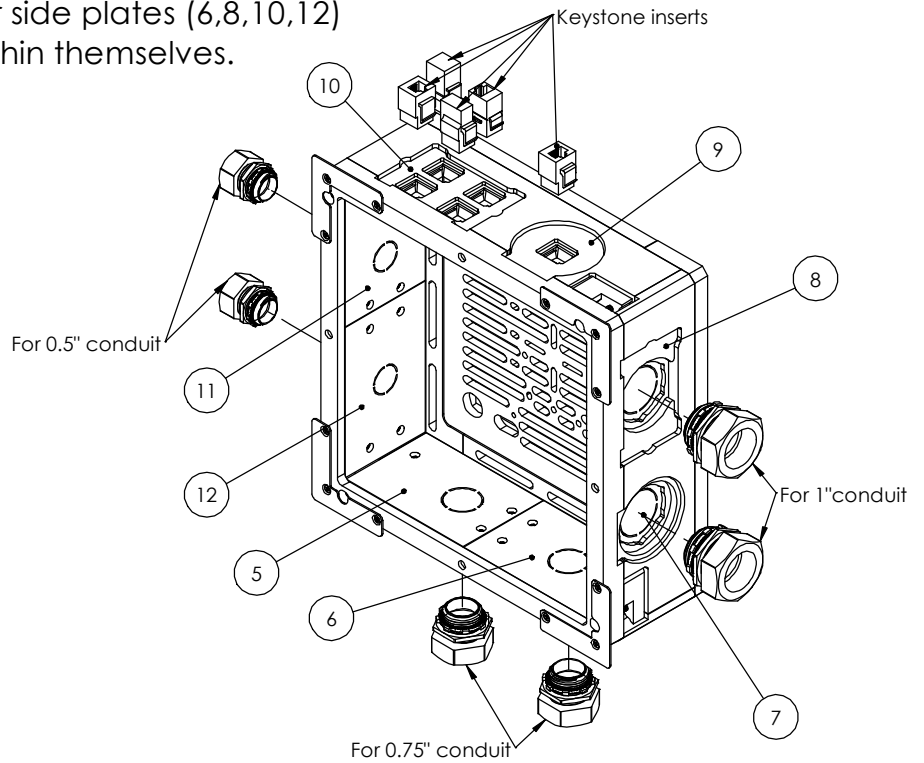
Model No.: 083-1-963

PRODUCT SPEC.

REVISION A

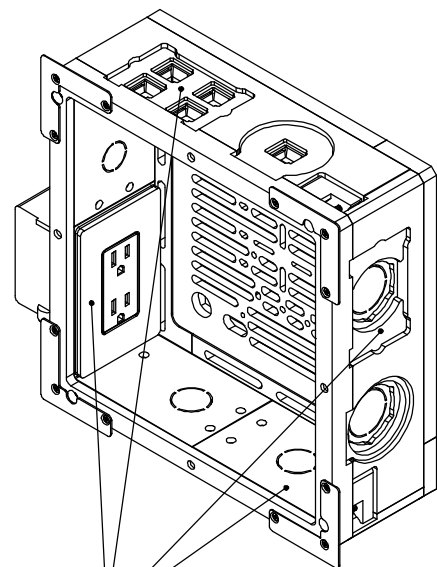
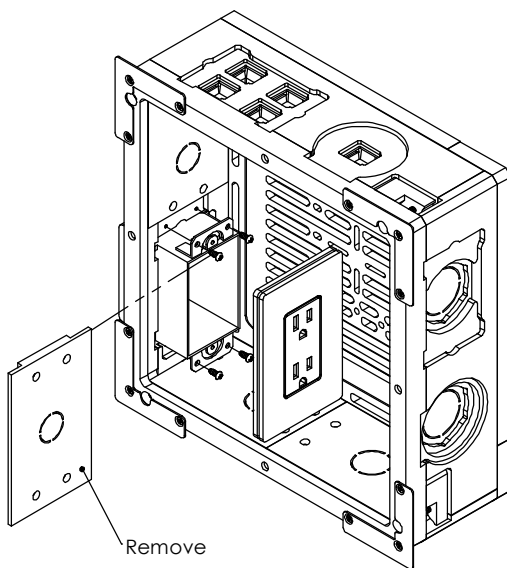
DATE 30/JULY/2023

- Small interchangeable Inner side plates (5,7,9,11) may be swapped places within themselves.
- Large interchangeable Inner side plates (6,8,10,12) may be swapped places within themselves.



INSTALLTION OF HUBBEL-RACO 420 SWITCH BOX (OR EQUIVALENT) AND RECEPTACLE

To inatall back box & receptacle, remove one of the large inner side plates and assemble the back box using the 4 screws.



Receptacle may be installed on any wall