



Model: NC FOR INTELLITHINGS ROOMME

Family: WALL-SMART

DWG NO. 082-4-872-SPC



Model No.: 082-1-872

PRODUCT SPEC.

REVISION A

DATE 13/APR/2021

**Make Your Wall Smart**

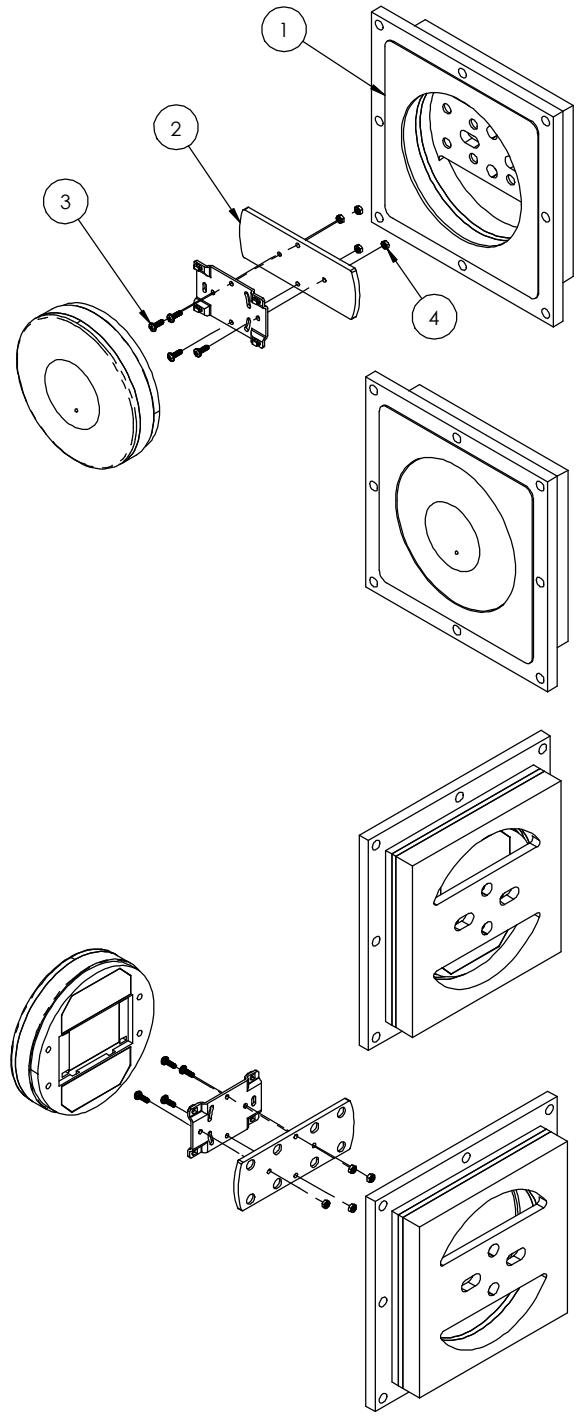
**“NC FOR INTELLITHINGS ROOMME” - Product description:**

The “NC FOR INTELLITHINGS ROOMME” is an adapter for in-ceiling flush installation of an INTELLITHINGS ROOMME sensor.

The “NC FOR INTELLITHINGS ROOMME” firmly mounts the sensor allowing easy access, insertion and operation.

**Key features and benefits:**

- Flush with the wall.
- Paintable with the wall paint in any color and texture.
- Allows easy insertion and removal of the sensor.
- The adapter is supplied unpainted (To be painted after installation as part of the wall).
- Designed to be installed in 1/2” drywall. Installation of the Wall-Smart adapter is straight-forward. Installation process is similar to drywall construction procedures. Before installation, read Wall-Smart installation instruction 10-04-00101-INS in <http://www.wall-smart.com/faq>
- For installation in concrete/block wall use “CONCRETE BOX 240X240” P/N 10-01-716 (sold separately) according installation instruction 10-04-00103-INS in <http://www.wall-smart.com/faq>
- Designed for the use with ROOMME sensor (by INTELLITHINGS) (not included).
- Adapter kit contains:
  1. Wall adapter (x1)
  2. Sensor adapter (x1)
  3. M4X12 Screws (x4)
  4. M4 Nuts (x4)



**Key properties:**

- Dimensions (W/H/D): 238mm (9.37")/ 238mm (9.37")/49.6mm (1.95")
- Power Supply: None (manual adapter).
- Weight: 0.9Kg, 1.98lbs.
- Material: Moisture resistant MDF.
- To be installed in 1/2” drywall (for installation in 5/8” drywall use 1/8” shim pack P/N 10-01-067 (sold separately)).

