



Model: WS NC FOR LEGRAND ADORNE AWP2GXX4

Family: WALL-SMART

DWG NO. 077-4-862-SPC



Model No.: 077-1-862

PRODUCT SPEC.

REVISION A

DATE 19/OCT./2020

Make Your Wall Smart

WS NC FOR LEGRAND ADORNE AWP2GXX4 - Product description:

The "WS NC FOR LEGRAND ADORNE AWP2GXX4" is an adapter for in-wall flush installation of a LEGRAND ADORNE AWP2GXX4.

The "WS NC FOR LEGRAND ADORNE AWP2GXX4" firmly mounts the device while allowing easy access, insertion and removal.

For 1 gang installation use Wall-smart P/N 077-1-860

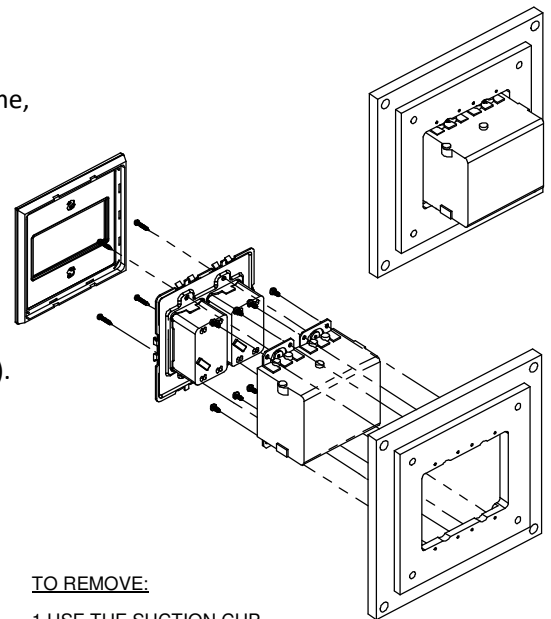
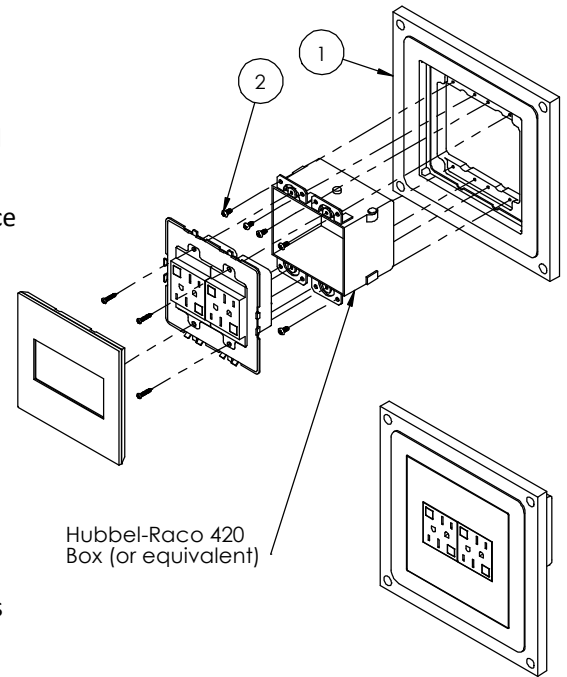
For 3 gang installation use Wall-smart P/N 077-1-864

Key features and benefits:

- Flush with the wall.
- Paintable with the wall paint in any color and texture.
- Allows easy insertion and removal by supplied suction cap.
- The adapter is supplied unpainted (To be painted after installation as part of the wall).
- Designed to be installed in 1/2" drywall. Installation of the Wall-Smart adapter is straight-forward. Installation process is similar to drywall construction procedures. Before installation, read Wall-Smart installation instruction 10-04-00101-INS in <http://www.wall-smart.com/faq>
- Designed for the use with Legrand Adorne AWP2GXX4. (Legrand frame, wall plate, outlets and back box are not included)
- Adapter kit contains:
 1. (X1) Wall adapter
 2. (X8) KA3.5x8 screws
 3. (X1) Suction cap

Key properties:

- Dimensions (W/H/D): 206mm (8.11")/ 203mm (7.99")/ 22mm (0.87")
- Power Supply: None (manual adapter).
- Weight: 0.6Kg, 1.32lbs.
- Material: Moisture resistant MDF (compliant with TSCA Title VI).
- To be installed in 1/2" drywall (for installation in 5/8" drywall use 1/8" shim pack P/N 10-01-067 (sold separately)).



TO REMOVE:
 1. USE THE SUCTION CUP TO PULL FRONT PART OF WALL PLATE.
 2. USE A SCREWDRIVER TO DETACH WALL PLATE FROM FRAME.

