



Model: WS RF FOR IC REALTIME
IPMX-W40F-IRW3

Family: WALL-SMART

DWG NO. 076-4-986-SPC

Model No.: 076-1-986

PRODUCT SPEC.

REVISION A

DATE 06/03/2024



Make Your Wall Smart

“WS RF FOR IC REALTIME IPMX-W40F-IRW3” - Product description:

The “WS RF FOR IC REALTIME IPMX-W40F-IRW3” is an adapter for in-wall\ceiling nearly flush retrofit installation of the IC REALTIME IPMX-W40F-IRW3 camera

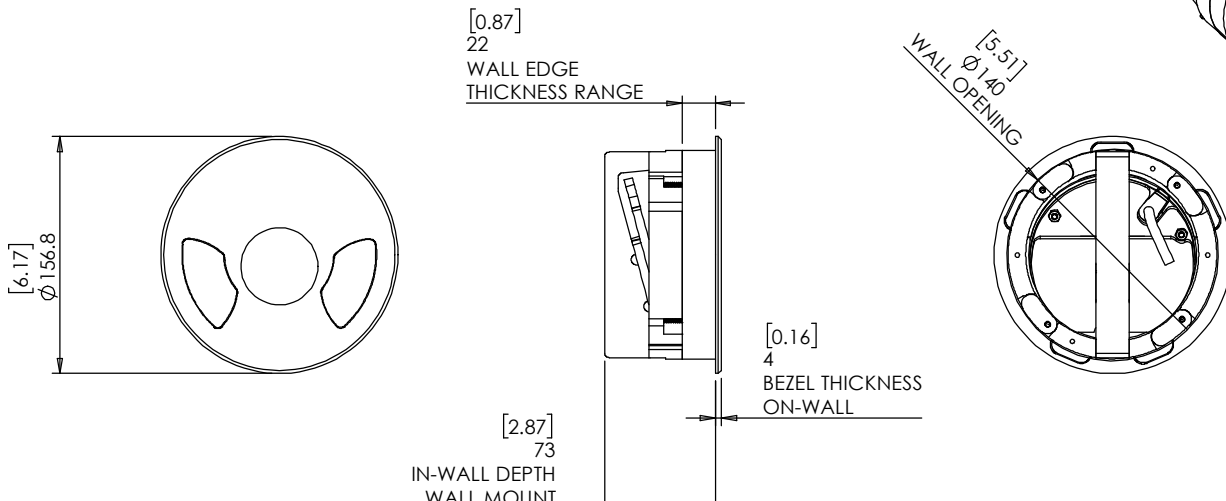
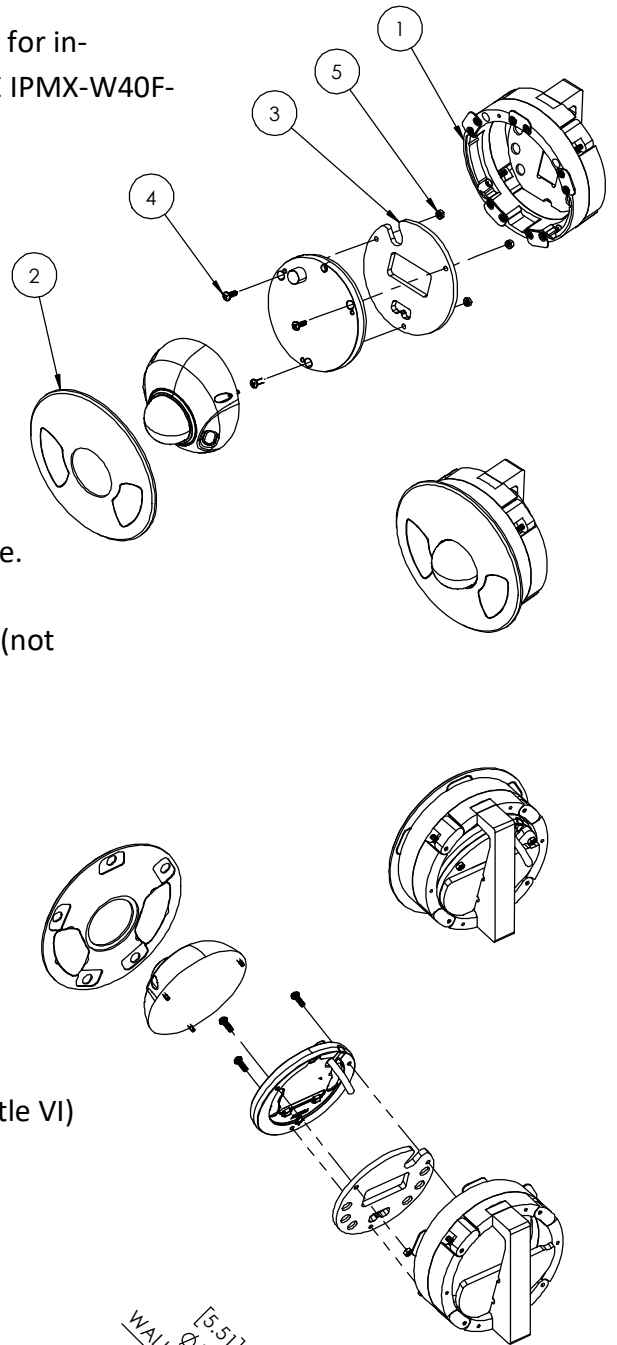
The “WS RF FOR IC REALTIME IPMX-W40F-IRW3” firmly mounts the camera while allowing easy insertion, removal and operation.

Key features and benefits:

- Nearly flush with the wall\ceiling (4mm [0.16”] thick on-wall bezel).
- Allows easy insertion and removal of the device.
- Bezel attaches magnetically to the retrofit wall mount base.
- The bezel is supplied painted white matte.
- Designed for the use with IC REALTIME IPMX-W40F-IRW3 (not included).
- Adapter kit contains:
 1. (X1) Wall mount base
 2. (X1) Bezel
 3. (X1) Camera adapter
 4. (X3) M4x12 Cap screws
 5. (X3) M4 Nuts

Key properties:

- Dimensions: (Dia./H): $\varnothing 156.8\text{mm}$ (6.17")/ 77mm (3.03")
- Weight: 0.45Kg, 1lbs.
- Material: Moisture resistant MDF (compliant with TSCA Title VI)





Model: WS RF FOR IC REALTIME
IPMX-W40F-IRW3

Family: WALL-SMART

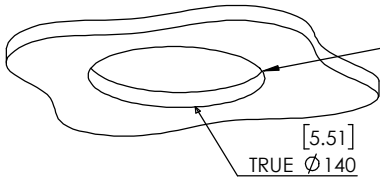
DWG NO. 076-4-986-SPC

Model No.: 076-1-986

PRODUCT SPEC.

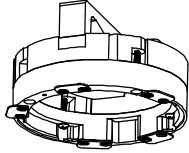
REVISION A

DATE 06/03/2024



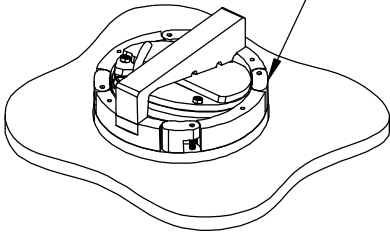
1. CUT OPENING - BOARD THICKNESS 10mm [0.39"]
UP TO 22mm [0.86"]

2. ROUTE NECESSARY CABLES

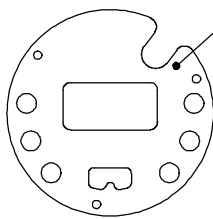


3. INSERT WALL MOUNT BASE AND
ALIGN THE MOUNT ARROW TO
GENERAL VIEW DIRECTION

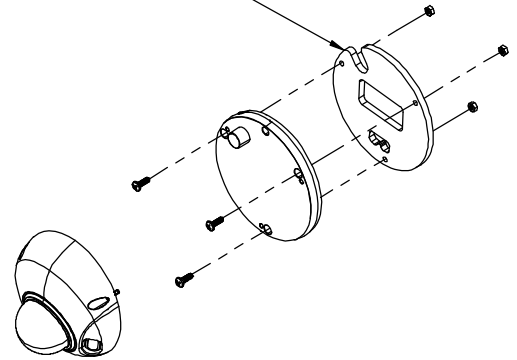
4. GENTLY SCREW CLOCKWISE 4
RETENTION SCREWS UNTIL CAM
LATCHES RETAIN THE UNIT



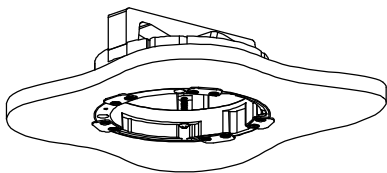
5. ASSEMBLE CAMERA ADAPTER



NOTICE PLATE ALIGNMENT



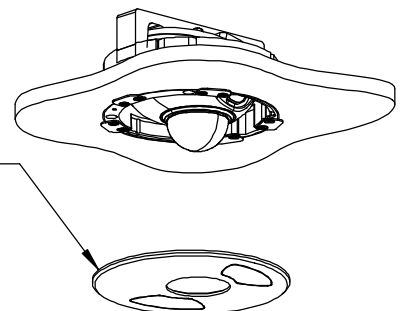
ROUTE CABLE FROM THIS SIDE



6. CONNECT AND INSERT THE CAMERA



7. ATTACH BEZEL (MAGNETICALLY)





Model: WS RF FOR IC REALTIME
IPMX-W40F-IRW3

Family: WALL-SMART

DWG NO. 076-4-986-SPC



Model No.: 076-1-986

PRODUCT SPEC.

REVISION A

DATE 06/03/2024

CUTOUT ROUTING TEMPLATE

076-1-986

SCALE 1:1

PLEASE PRINT THIS PAGE 1:1 RATIO

