



Model: WS NC FOR IC REALTIME
IPMX-W40F-IRW3

Model No.: 076-1-985

Family: WALL-SMART

DWG NO. 076-4-985-SPC

PRODUCT SPEC.

REVISION A

DATE 06/03/2024



Make Your Wall Smart

“WS NC FOR IC REALTIME IPMX-W40F-IRW3” - Product description:

The “WS NC FOR IC REALTIME IPMX-W40F-IRW3” is an adapter for in-wall\ceiling flush installation of IC REALTIME IPMX-W40F-IRW3 camera.

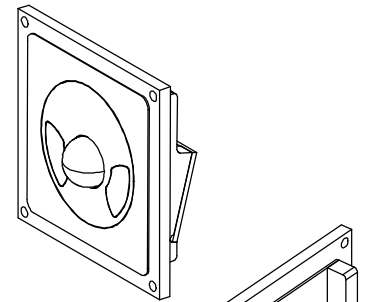
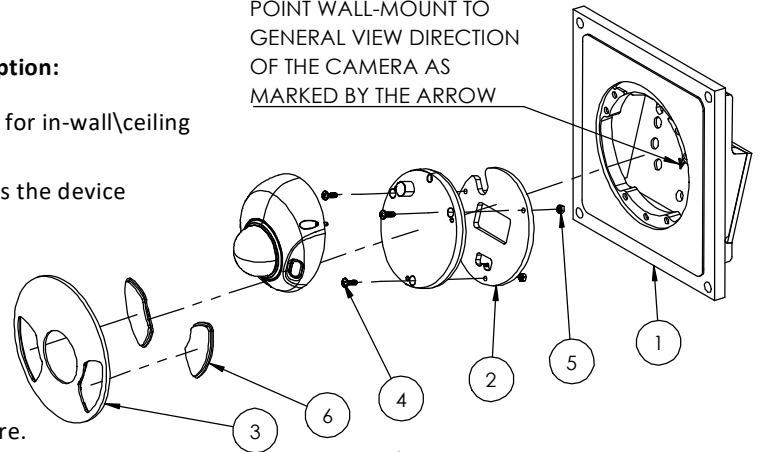
The “WS NC FOR IC REALTIME IPMX-W40F-IRW3” firmly mounts the device while allowing easy access, insertion and operation.

Key features and benefits:

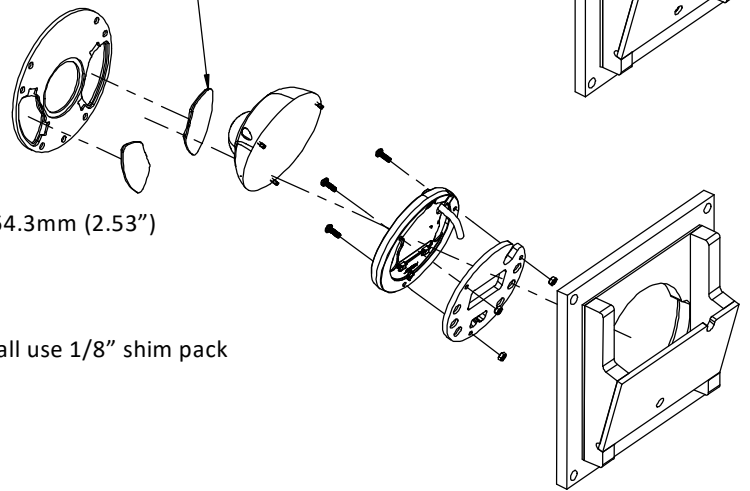
- Flush with the wall\ceiling.
- Paintable with the wall\ceiling paint in any color and texture.
- Allows easy insertion and removal of the camera.
- The adapter is supplied unpainted (To be painted after installation as part of the wall\ceiling).
- Designed to be installed in ½” drywall. Installation of the Wall-Smart adapter is straight-forward. Installation process is similar to drywall construction procedures. Before installation, read Wall-Smart installation instruction 10-04-00101-INS in <http://www.wall-smart.com/faq>
- Designed for the use with IC REALTIME IPMX-W40F-IRW3 (not included).
- Adapter kit contains:

1. (x1) Wall adapter
2. (x1) Camera adapter
3. (x1) Face plate
4. (x3) M4x12 Cap screws
5. (x3) M4 nuts
6. (x2) IR WINDOW

INSTALLATION POSITION:
POINT WALL-MOUNT TO
GENERAL VIEW DIRECTION
OF THE CAMERA AS
MARKED BY THE ARROW



After painting the Faceplate peel double sided adhesive and attach the windows to the Faceplate



Key properties:

- Dimensions (W/H/D): 215.9mm (8.5")/ 215.9mm (8.5")/ 64.3mm (2.53")
- Power Supply: None (manual adapter).
- Weight: 0.65Kg, 1.43lbs.
- Material: Moisture resistant MDF
- To be installed in ½” drywall (for installation in 5/8” drywall use 1/8” shim pack P/N 10-01-067 (sold separately)).

