



Model: WS RETROFIT FOR JOSH MICRO

Family: WALL-SMART

DWG NO. 065-4-596-SPC

Model No.: 065-1-596-BL / -WH / -WO

PRODUCT SPEC.

REVISION A

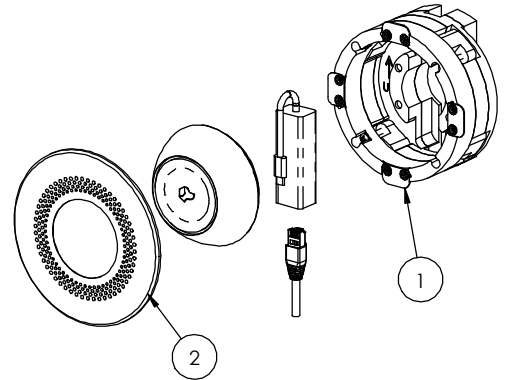
DATE 14/MAY/2019



Make Your Wall Smart

“WS RETROFIT FOR JOSH MICRO” - Product description:

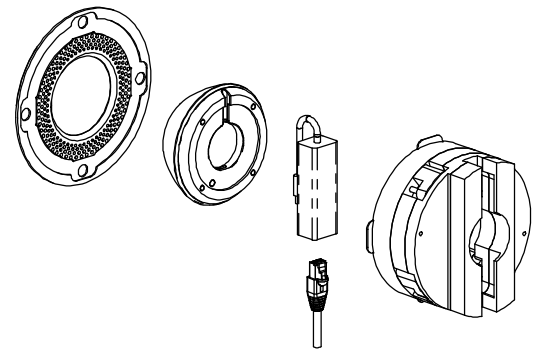
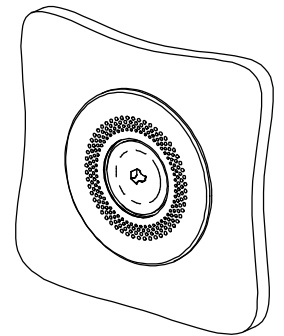
The “WS RETROFIT FOR JOSH MICRO” is an adapter for in-wall nearly flush retrofit installation of the Josh Micro. The “WS RETROFIT FOR JOSH MICRO” firmly mounts the Josh Micro while allowing easy insertion, removal and operation.



Key features and benefits:

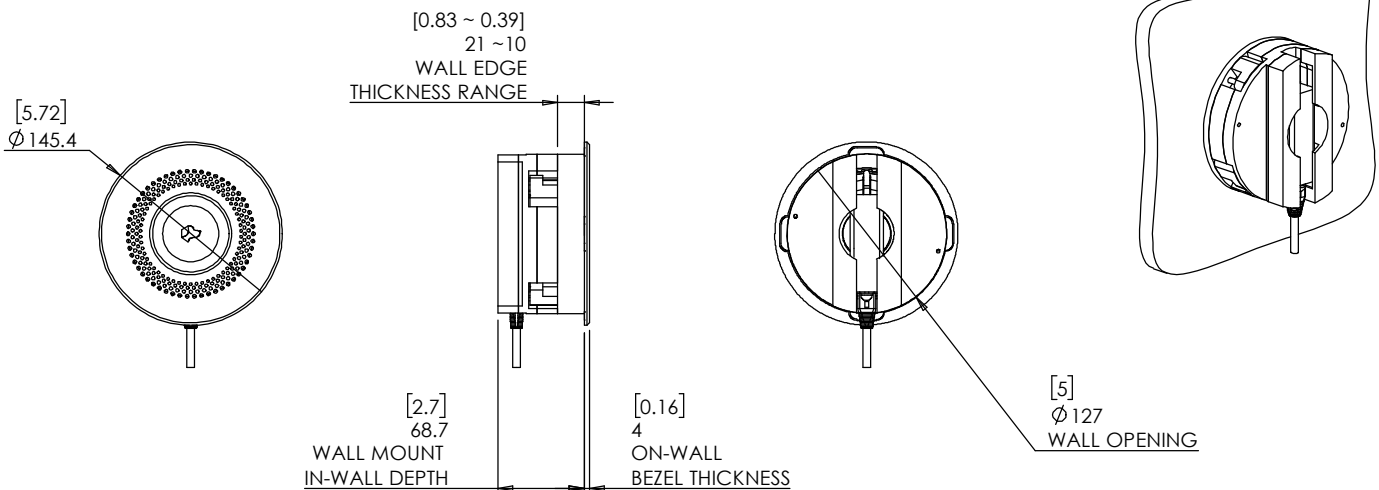
- Nearly flush with the wall (4mm [0.16"] thick on-wall bezel).
- Allows easy insertion and removal of the device.
- Bezel attaches magnetically to the retrofit wall mount base.
- The bezel is supplied painted black (-BL), white (-WH) or unpainted (-WO).
- Designed for the use with Josh Micro (not included).
- Adapter kit contains:

1. (X1) Wall mount base;
2. (X1) Bezel;



Key properties:

- Dimensions: (Dia./H): $\phi 145.4\text{mm}$ (5.72")/ 72.7mm (2.86")
- Weight: 0.6Kg, 1.32lbs.
- Material: Moisture resistant MDF (compliant with TSCA Title VI)





Model: WS RETROFIT FOR JOSH MICRO

Family: WALL-SMART

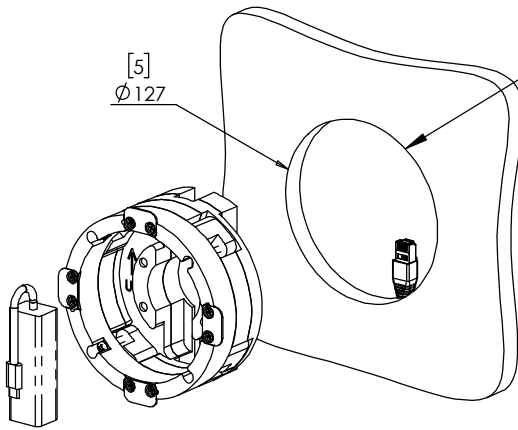
DWG NO. 065-4-596-SPC

Model No.: 065-1-596-BL / -WH / -WO

PRODUCT SPEC.

REVISION A

DATE 14/MAY/2019

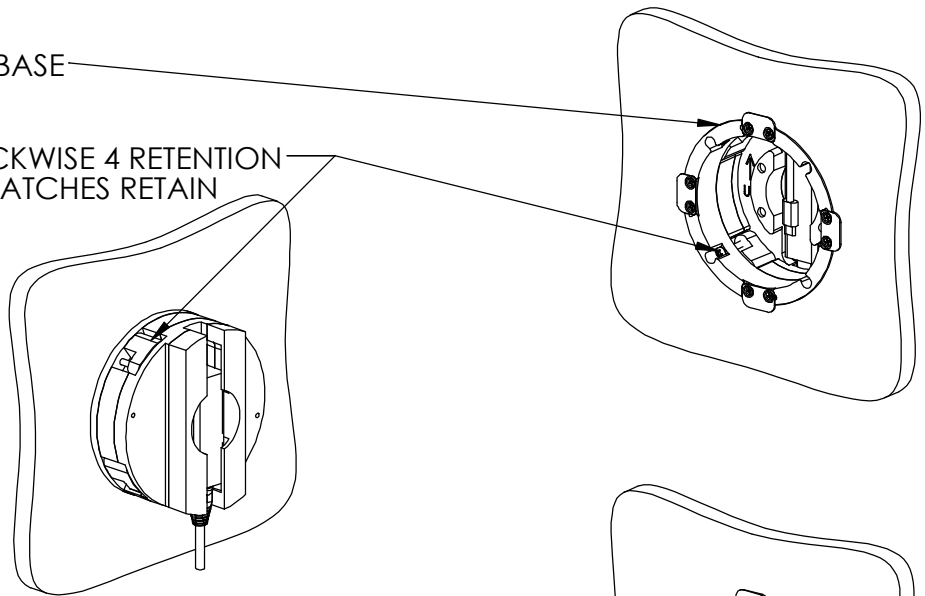


1. CUT OPENING - BOARD THICKNESS 10mm [0.39"] UP TO 21mm [0.83"] (FOR BOARDS UP TO 32mm [1.25"] THICK, REINSTALL CAM LATCHES UPSIDE DOWN.

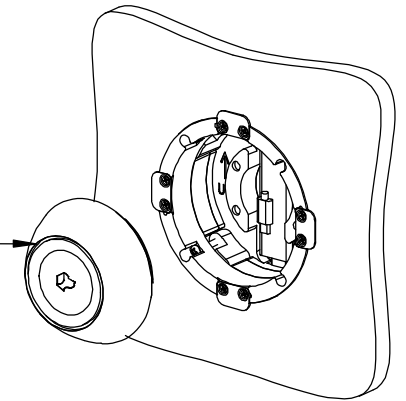
2. ROUTE NECESSARY CABLES

3. INSERT WALL MOUNT BASE

4. GENTLY SCREW CLOCKWISE 4 RETENTION SCREWS UNTIL CAM LATCHES RETAIN THE UNIT.



5. CONNECT AND INSERT THE JOSH MICRO



6. ATTACH BEZEL (MAGNETICALLY)

