



Model: WS RETROFIT FOR RUSSOUND XTS5.5

Model No.: 063-1-346

Family: WALL-SMART

DWG NO. 063-4-346-SPC

PRODUCT SPEC.

REVISION A

DATE 15/AUG/2021



Make Your Wall Smart

“WS RETROFIT FOR RUSSOUND XTS5.5” - Product description:

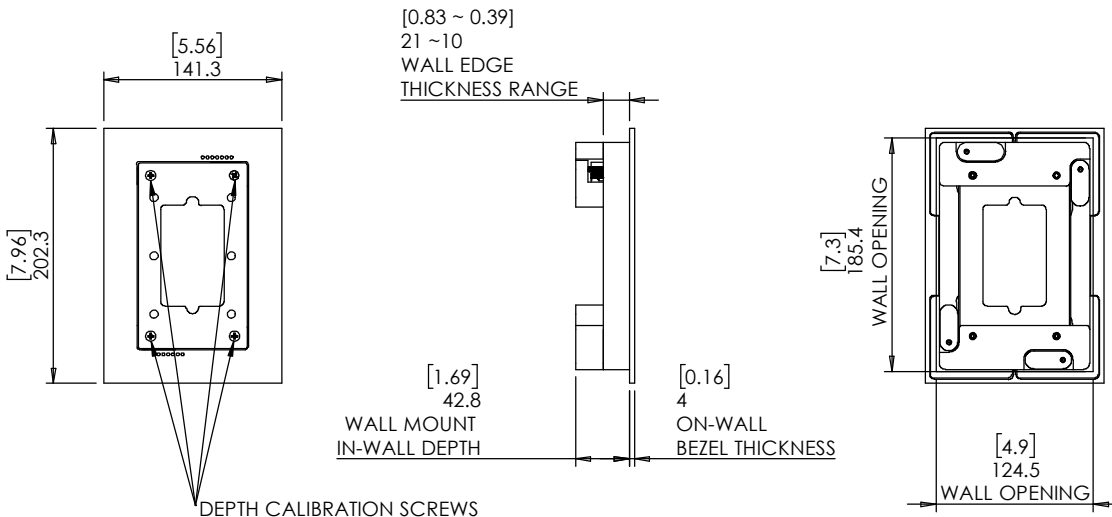
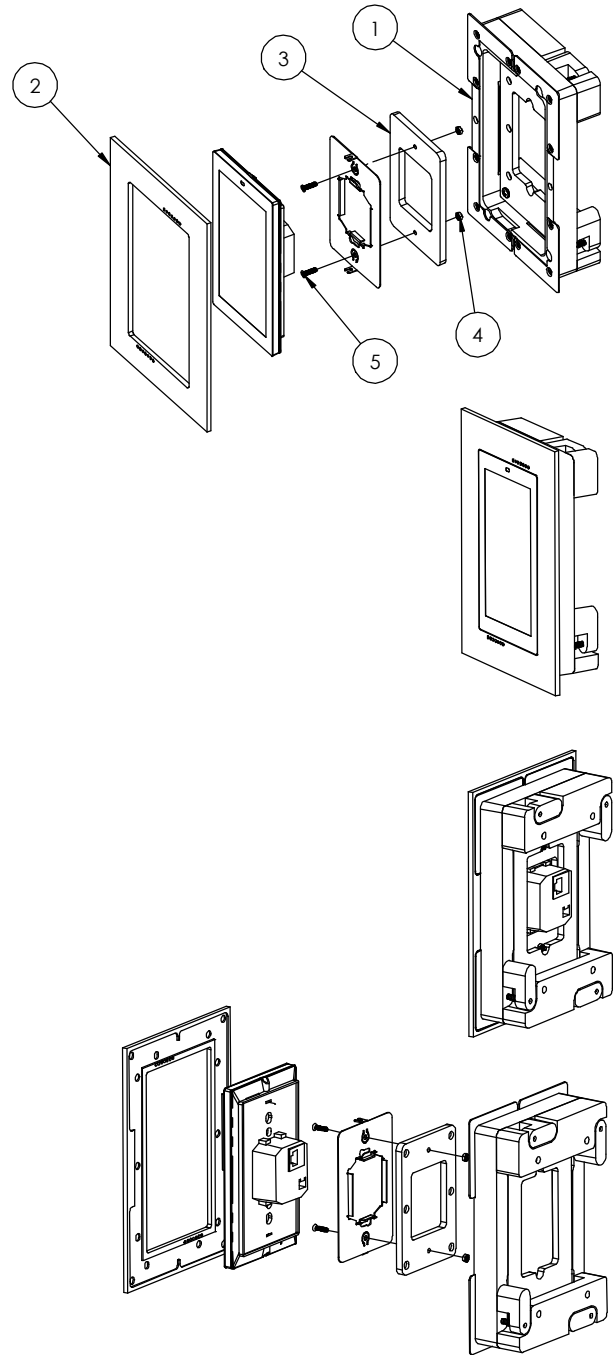
The “WS RETROFIT FOR RUSSOUND XTS5.5” is an adapter for in-wall nearly flush retrofit installation of a XTS5.5touch screen.
The “WS RETROFIT FOR RUSSOUND XTS5.5” firmly mounts the XTS5.5 touch screen while allowing easy insertion, removal and operation.

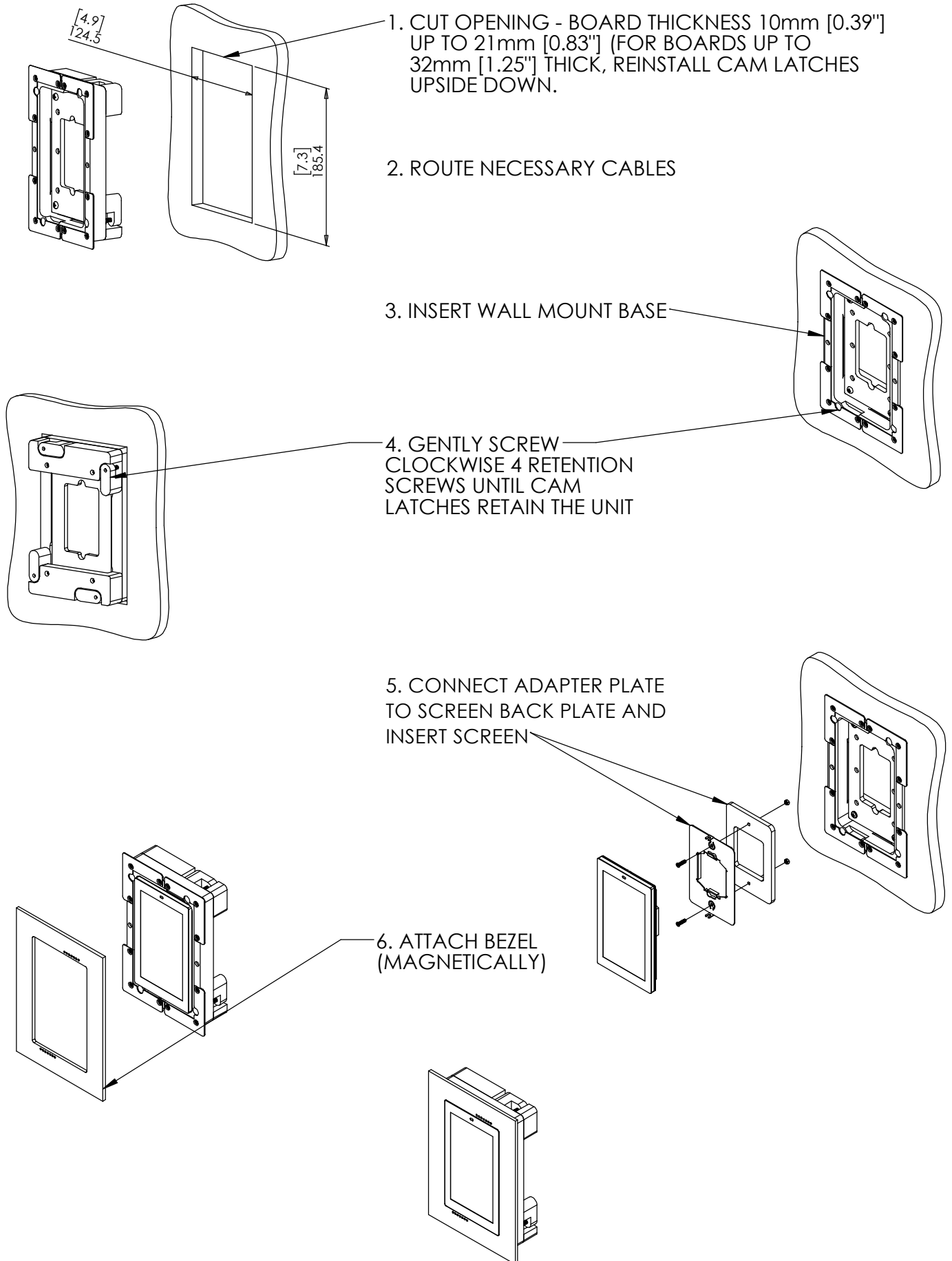
Key features and benefits:

- Nearly flush with the wall (4mm [0.16"] thick on-wall bezel).
- Allows easy insertion and removal of the touch screen.
- Wall mount contains depth calibration screws.
- Wall board thickness 10mm[0.39"] up to 21mm[0.83"].
For boards up to 32mm[1.25"] thick, reinstall cam latches upside down.
- Bezel attaches magnetically to the retrofit wall mount base.
- The bezel is supplied painted white.
- Designed for the use with XTS5.5 touch screen (by RUSSOUND) (not included).
- Adapter kit contains:
 1. (X1) Wall mount base;
 2. (X1) Bezel;
 3. (X1) Touch screen adapter
 4. (X2) M3 nuts
 5. (X2) CS M3x12 Screws

Key properties:

- Dimensions: (W/H/D): 141.3mm (5.56")/ 202.3mm (7.96")/ 46.8mm (1.84")
- Weight: 0.55Kg, 1.21lbs.
- Material: Moisture resistant MDF





1. CUT OPENING - BOARD THICKNESS 10mm [0.39"] UP TO 21mm [0.83"] (FOR BOARDS UP TO 32mm [1.25"] THICK, REINSTALL CAM LATCHES UPSIDE DOWN.

2. ROUTE NECESSARY CABLES

3. INSERT WALL MOUNT BASE

4. GENTLY SCREW CLOCKWISE 4 RETENTION SCREWS UNTIL CAM LATCHES RETAIN THE UNIT

5. CONNECT ADAPTER PLATE TO SCREEN BACK PLATE AND INSERT SCREEN

6. ATTACH BEZEL (MAGNETICALLY)