



Model: WS NC FOR LUTRON ALISSE 3C

Model No.: 058-1-880

Family: WALL-SMART

DWG NO. 058-4-880-SPC

PRODUCT SPEC.

REVISION A

DATE 29/MAR/2021



Make Your Wall Smart

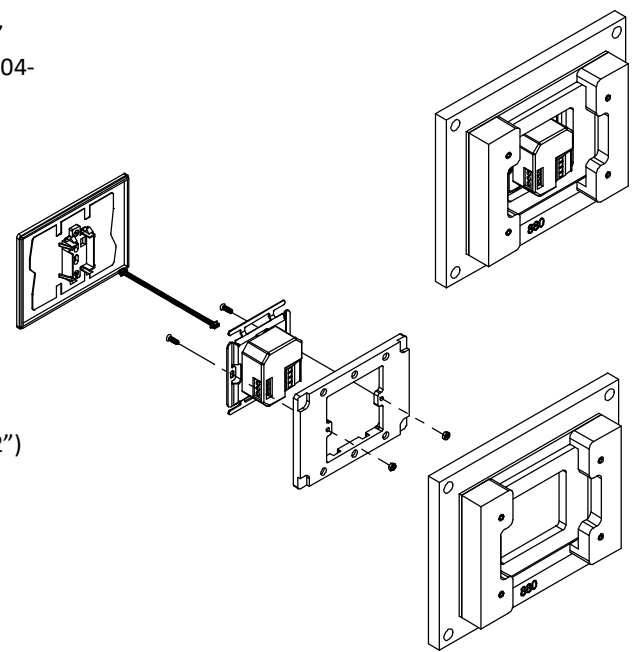
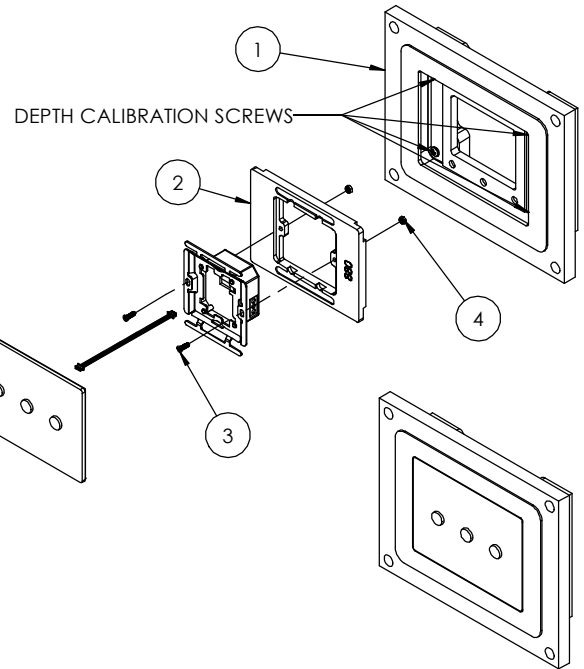
“WS NC FOR LUTRON ALISSE 3C” - Product description:

The “WS NC FOR LUTRON ALISSE 3C” is an adapter for in-wall flush installation of a LUTRON Alisse wall control triple column.

The “WS NC FOR LUTRON ALISSE 3C” firmly mounts the keypad allowing easy access, insertion and operation.

Key features and benefits:

- Flush with the wall.
- Paintable with the wall paint in any color and texture.
- Includes depth calibration mechanism.
- Allows easy insertion and removal of the keypad.
- The adapter is supplied unpainted (To be painted after installation as part of the wall).
- Designed to be installed in 1/2" drywall. Installation of the Wall-Smart adapter is straight-forward. Installation process is similar to drywall construction procedures. Before installation, read Wall-Smart installation instruction 10-04-00101-INS in <http://www.wall-smart.com/faq>
- For installation in concrete/block wall use “CONCRETE BOX 165X203” P/N 10-01-522 (sold separately) according installation instruction 10-04-00103-INS in <http://www.wall-smart.com/faq>
- Designed for the use with Alisse wall control 3C (by Lutron©) (not included).
- Adapter kit contains:
 1. Wall adapter (x1)
 2. keypad adapter (x1)
 3. M3X12 Screws (x2)
 4. M3 Nuts (x2)



Key properties:

- Dimensions (W/H/D): 163mm (6.42")/ 201mm (7.91")/ 38.6mm (1.52")
- Power Supply: None (manual adapter).
- Weight: 0.6Kg, 1.32lbs.
- Material: Moisture resistant MDF.
- To be installed in 1/2" drywall (for installation in 5/8" drywall use 1/8" shim pack P/N 10-01-067 (sold separately)).

