



Model: WS SB FOR SAVANT ASCEND WFB 4Gang

Family: WALL-SMART

DWG NO. 028-4-911-SPC



Model No.: 028-1-911

PRODUCT SPEC.

REVISION A

DATE 07/SEP/2022

Make Your Wall Smart

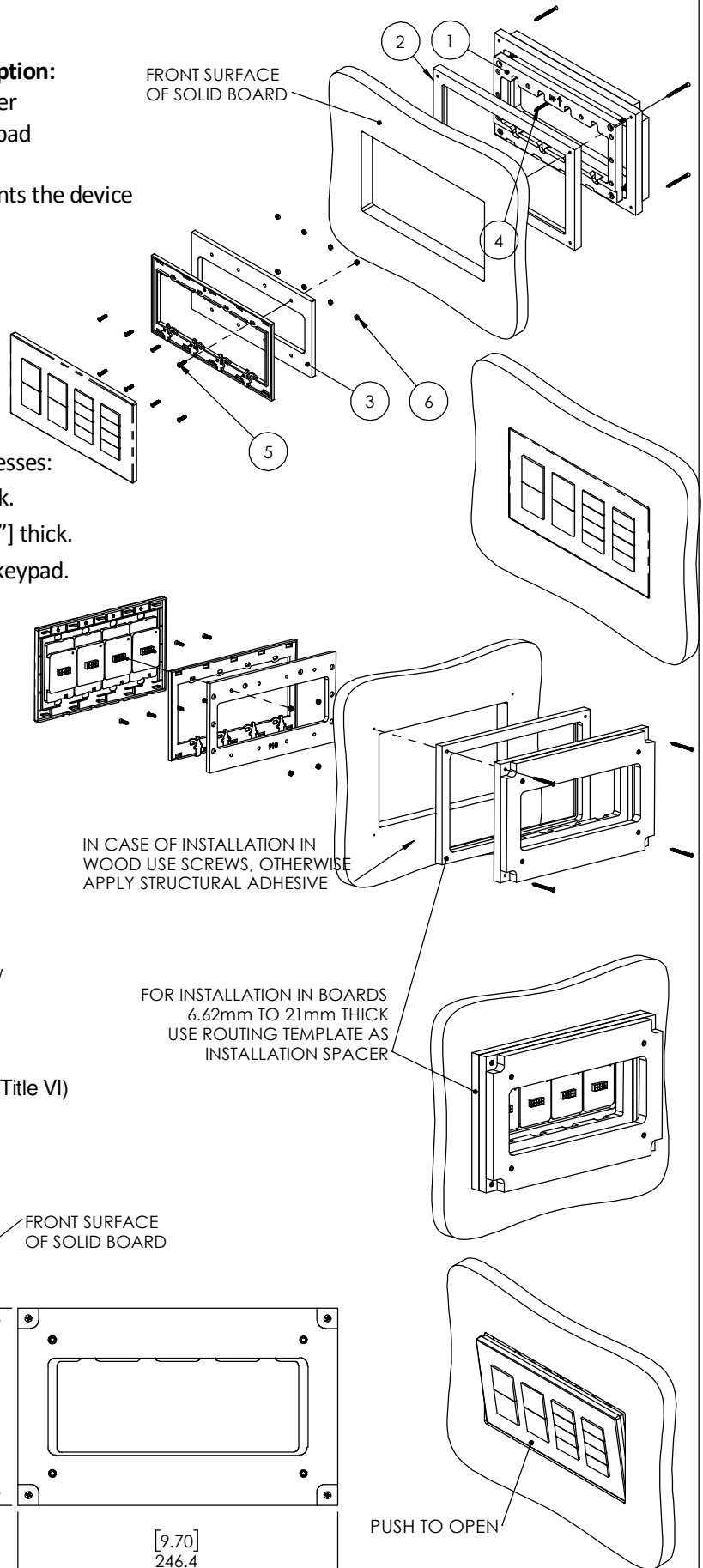
WS SB FOR SAVANT ASCEND WFB 4G – Product description:

The “WS SB FOR SAVANT ASCEND WFB 4G” is an adapter for in-wall flush installation of a Savant Ascend 4G keypad in solid board walls.

The “WS SB FOR SAVANT ASCEND WFB 4G” firmly mounts the device while allowing easy access, insertion and removal.

Key features and benefits:

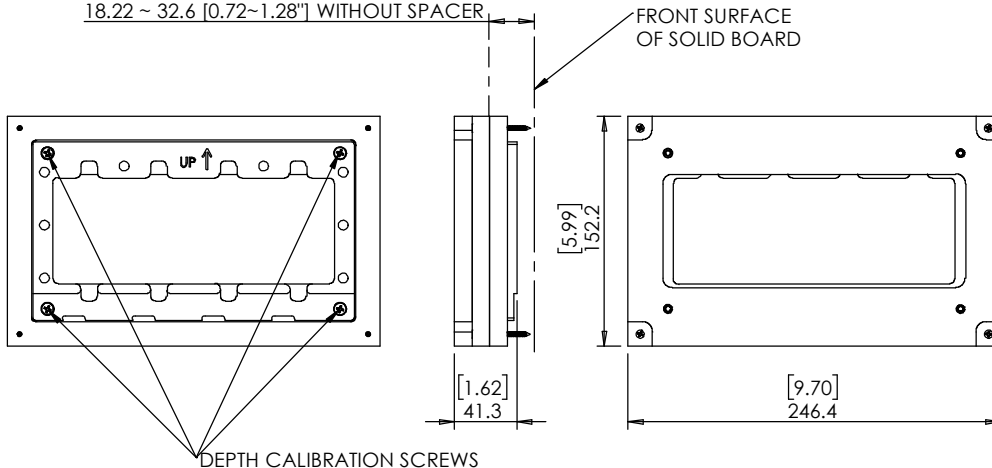
- Flush with the wall.
- Allows easy maintenance access.
- Includes depth calibration mechanism and a spacer.
- allowing installation in wide range of board thicknesses:
With spacer: 6.62mm ~ 21mm [0.26" ~ 0.83"] thick.
Without spacer: 18.22mm ~ 32.6mm [0.72" ~ 1.28"] thick.
- Designed for the use with Savant Ascend WFB 4G keypad. (keypad not included)
- Use spacer as routing template.
- Installation kit contains:
 1. Wall adapter (x1)
 2. Spacer frame (Routing template) (x1)
 3. Keypad adaptor frame (X1)
 4. ST3x40 screws (x4)
 5. M3X12 Screws (x8)
 6. M3 nut (X8)



Key properties:

- Dimensions (W/H/D): 246.4mm (9.7")/ 152.2mm (5.99")/ 41.3mm (1.62")
- Power Supply: None (manual adapter).
- Weight: 0.56Kg, 1.23lbs.
- Material: Moisture resistant MDF (compliant with TSCA Title VI)

SOLID BOARD THICKNESS RANGE:
6.62 ~ 21 [0.26"~0.83"] WITH SPACER
18.22 ~ 32.6 [0.72~1.28"] WITHOUT SPACER





Model: WS SB FOR SAVANT
ASCEND WFB 4Gang

Family: WALL-SMART

DWG NO. 028-4-911-SPC

Model No.: 028-1-911

PRODUCT SPEC.

REVISION A

DATE 07/SEP/2022

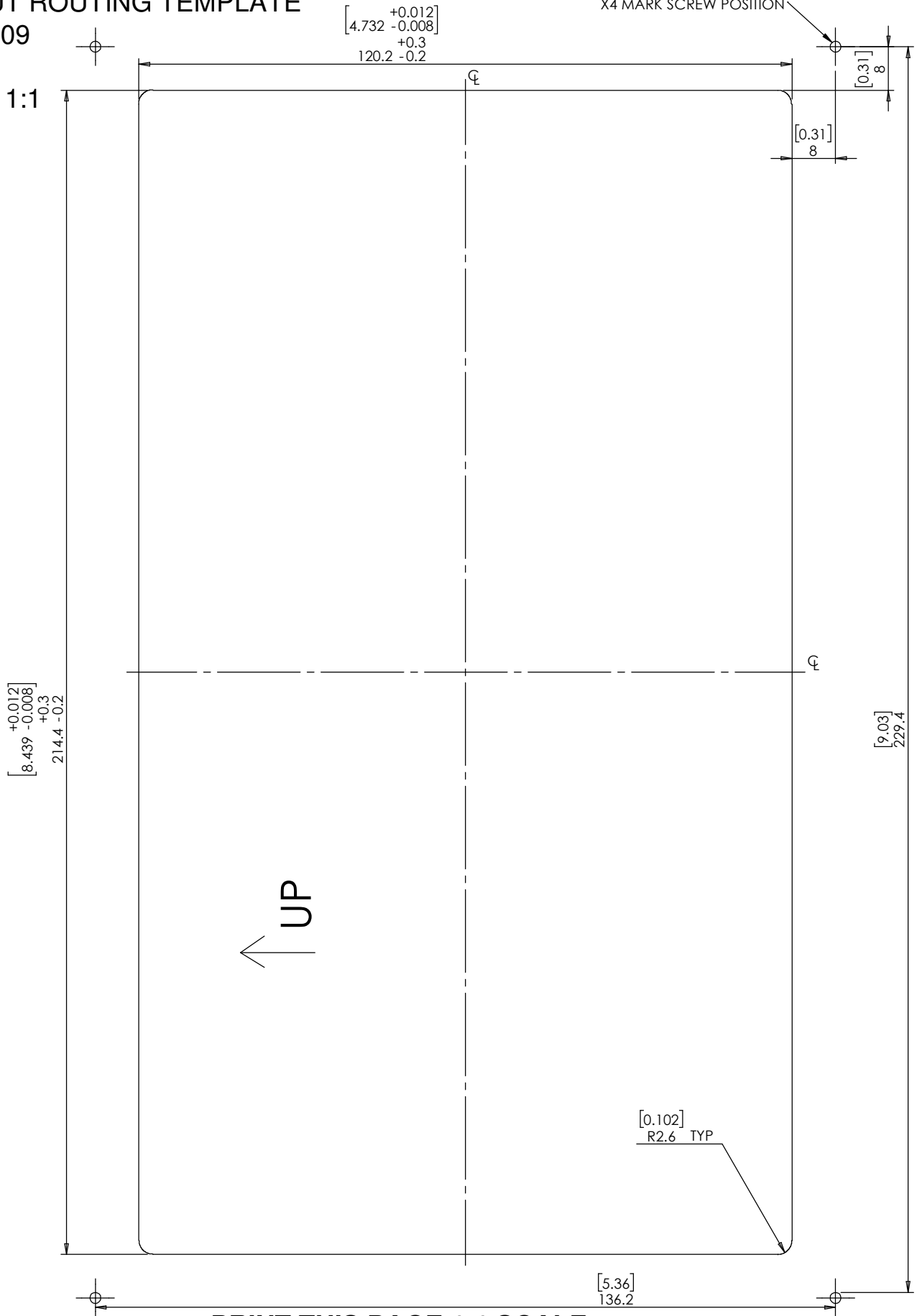


CUTOUT ROUTING TEMPLATE

028-1-909

X4 MARK SCREW POSITION

SCALE 1:1



PRINT THIS PAGE 1:1 SCALE