



Model: WS NC FOR CRESTRON HORIZON HZA-PWR

Family: WALL-SMART

DWG NO. 012-4-877-SPC



Model No.: 012-1-877

PRODUCT SPEC.

REVISION A

DATE 21/DEC./2020

Make Your Wall Smart

WS NC FOR CRESTRON HORIZON HZA-PWR - Product description:

The "WS NC FOR CRESTRON HORIZON HZA-PWR" is an adapter for in-wall flush installation of a WS NC FOR CRESTRON HORIZON HZA-PWR accessories.

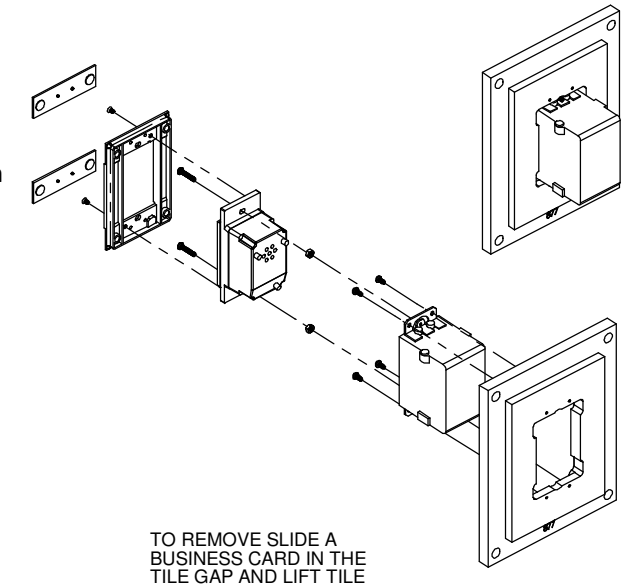
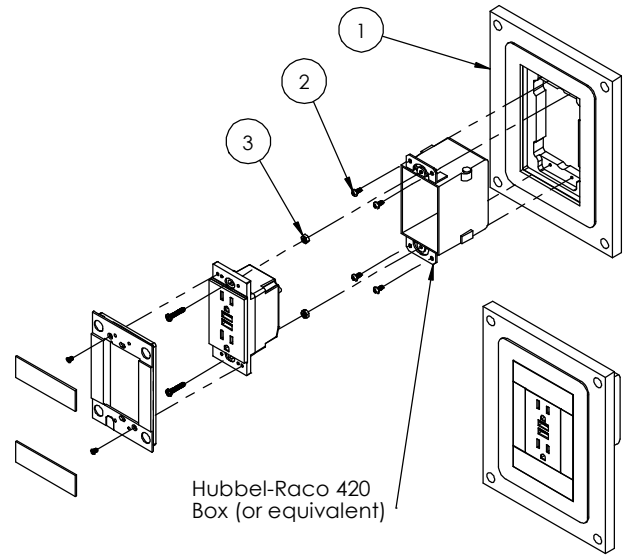
The "WS NC FOR CRESTRON HORIZON HZA-PWR" firmly mounts the device while allowing easy access, insertion and removal.

Key features and benefits:

- Flush with the wall.
- Paintable with the wall paint in any color and texture.
- Allows easy insertion and removal.
- The adapter is supplied unpainted (To be painted after installation as part of the wall).
- Designed to be installed in 1/2" drywall. Installation of the Wall-Smart adapter is straight-forward. Installation process is similar to drywall construction procedures. Before installation, read Wall-Smart installation instruction 10-04-00101-INS in <http://www.wall-smart.com/faq>
- For installation in concrete/block wall use "WS CONCRETE BOX 164x202" P/N 100-1-603 (sold separately) according installation instruction 10-04-00103-INS in <http://www.wall-smart.com/faq>
- Designed for the use with CRESTRON HORIZON HZA-PWR. (frame, outlets and back box are not included)
- Adapter kit contains:
 1. (X1) Wall adapter
 2. (X4) #6x5/16" screws
 3. (x2) Installation spacer (M4 NUT)

Key properties:

- Dimensions (W/H/D): 160mm (6.3")/ 200mm (7.87")/ 22mm (0.87").
- Power Supply: None (manual adapter).
- Weight: 0.4Kg, 0.88lbs.
- Material: Moisture resistant MDF (compliant with TSCA Title VI).
- To be installed in 1/2" drywall (for installation in 5/8" drywall use 1/8" shim pack P/N 10-01-067 (sold separately)).



TO REMOVE SLIDE A BUSINESS CARD IN THE TILE GAP AND LIFT TILE

