



Model: WS RETROFIT FOR TSW-570
BLACK/WHITE/WO PAINT

Family: WALL-SMART

DWG NO. 012-4-829-SPC



Model No.: 012-1-829-BL/-WH/-WO

PRODUCT SPEC.

REVISION A

DATE 14/JUNE/2020

Make Your Wall Smart

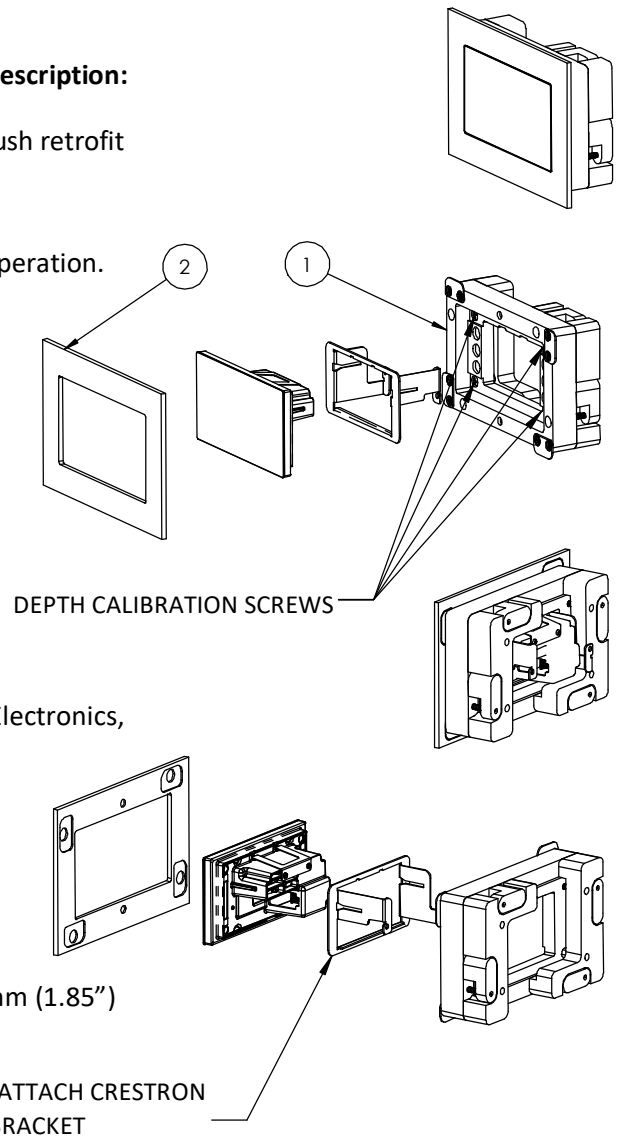
“WS RETROFIT FOR TSW-570 BLACK\WHITE\WO PAINT” Product description:

The “WS RETROFIT FOR TSW-570” is an adapter for in-wall nearly flush retrofit installation of a TSW-570 touch screen.

The “WS RETROFIT FOR TSW-570” firmly mounts the TSW-570 touch screen while allowing easy insertion, removal and operation.

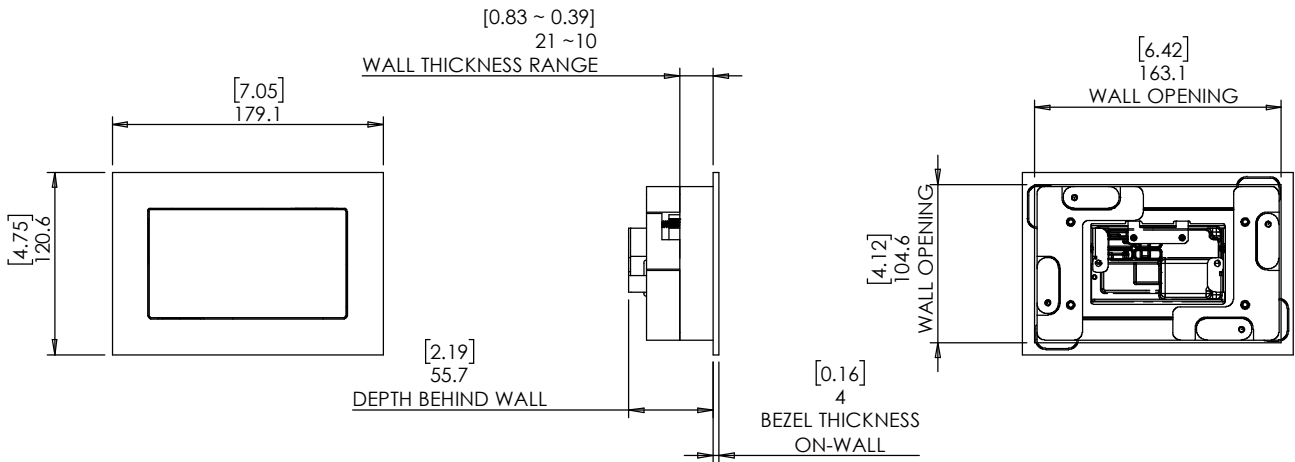
Key features and benefits:

- Nearly flush with the wall (4mm [0.16"] thick on-wall bezel).
- Wall mount contains depth calibration screws.
- Wall mount may be mounted in any orientation.
- Allows easy insertion and removal of the touch screen.
- Bezel attaches magnetically to the retrofit wall mount base.
- The bezel is supplied painted black (-BL), white (-WH) or unpainted (-WO)
- The bezel is supplied, by default, with speaker and mic grills.
- Designed for the use with TSW-570 touch screen (by Crestron Electronics, Inc. ©) (touch panel is not included).
- Adapter kit contains:
 1. (X1) Wall mount base;
 2. (X1) Bezel;



Key properties:

- Dimensions: (W/H/D): 179.1mm (7.05")/ 120.6mm (4.75")/48mm (1.85")
- Weight: 0.4Kg, 0.88lbs.
- Material: Moisture resistant MDF





Model: WS RETROFIT FOR TSW-570
BLACK/WHITE/WO PAINT

Family: WALL-SMART

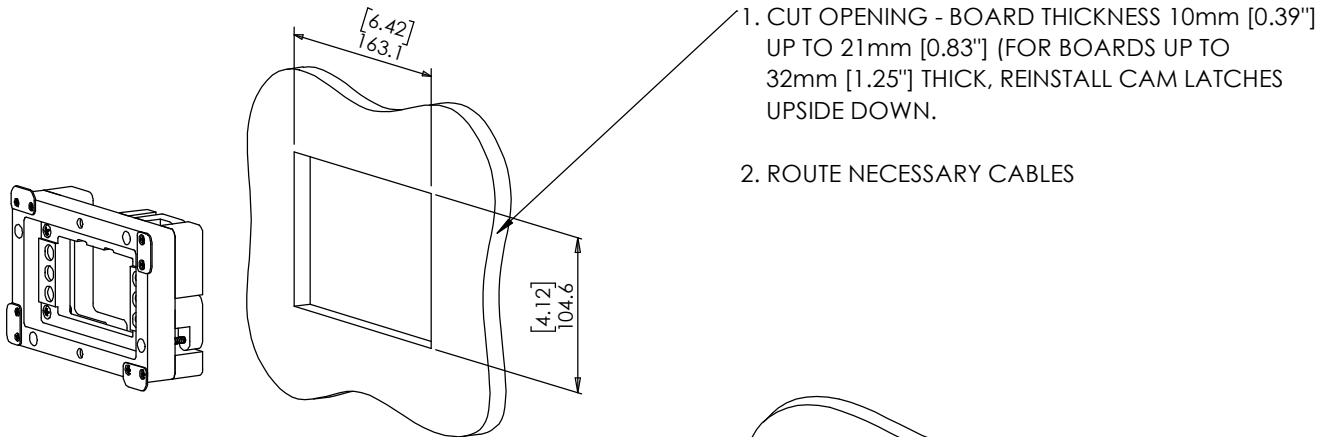
DWG NO. 012-4-829-SPC

Model No.: 012-1-829-BL/-WH/-WO

PRODUCT SPEC.

REVISION A

DATE 14/JUNE/2020

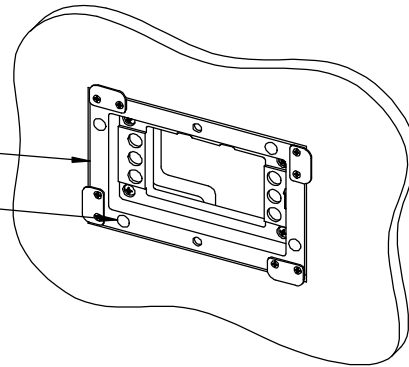
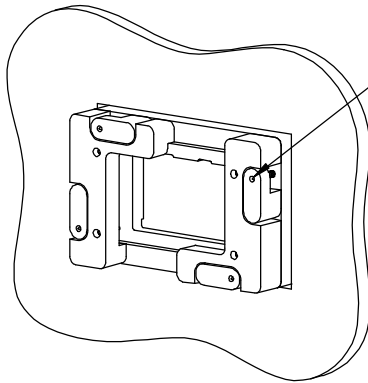


1. CUT OPENING - BOARD THICKNESS 10mm [0.39"] UP TO 21mm [0.83"] (FOR BOARDS UP TO 32mm [1.25"] THICK, REINSTALL CAM LATCHES UPSIDE DOWN.

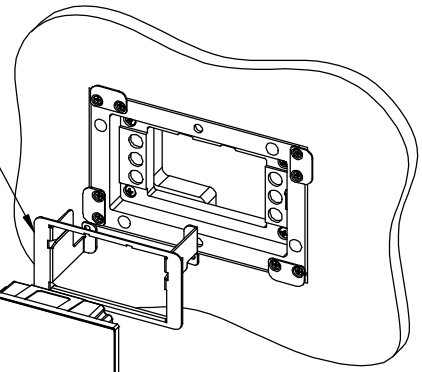
2. ROUTE NECESSARY CABLES

3. INSERT WALL MOUNT BASE

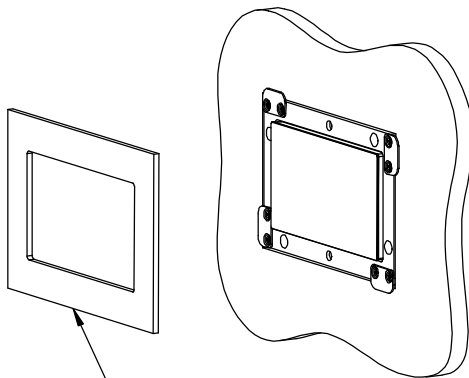
4. GENTLY SCREW CLOCKWISE 4 RETENTION SCREWS UNTIL CAM LATCHES RETAIN THE UNIT.



CRESTRON MOUNTING BRACKET



5. ATTACH TOUCH SCREEN (MAGNETICALLY)



6. ATTACH BEZEL (MAGNETICALLY)