



Model: WS RETROFIT V4 FOR C4 T3 7" LOW V BLACK/WHITE/UNPAINTED

Model No.: 007-1-684-BL/-WH/-WO

Family: WALL-SMART

DWG NO. 007-4-684-SPC

PRODUCT SPEC.

REVISION B  
DATE 8/JAN./2020



### Make Your Wall Smart

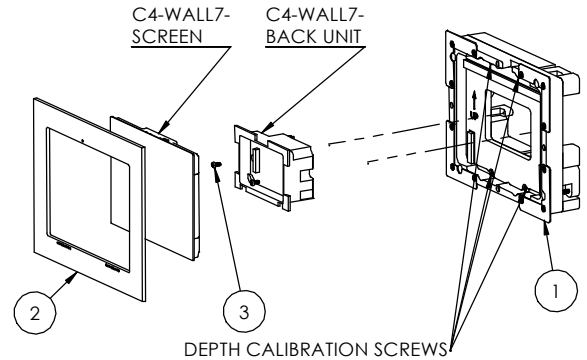
#### “WS RETROFIT V3 FOR C4 T3 7” BLACK/WHITE/UNPAINTED” -

#### Product description:

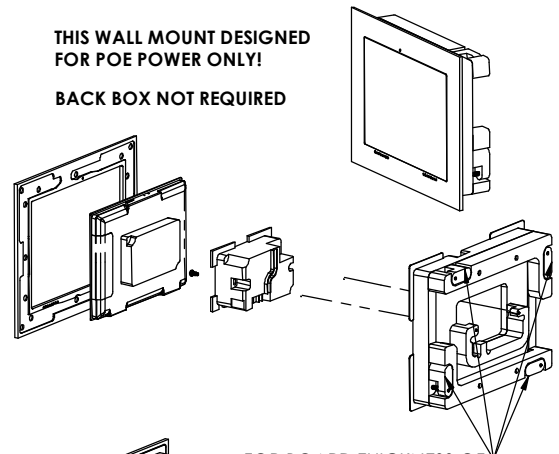
The “WS RETROFIT V4 FOR C4 T3 7”” is an adapter for in-wall nearly flush retrofit installation of C4-WALL7- touch screen. The “WS RETROFIT V4 FOR C4 T3 7”” securely mounts the touch screen while allowing easy insertion, removal and operation.

#### Key features and benefits:

- Nearly flush with the wall (4mm [0.16"] thick on-wall bezel).
- Wall mount contains depth calibration screws.
- Board thickness 10mm[0.39"] up to 21mm[0.83"]. For boards up to 32mm[1.25"] thick, reinstall cam latches upside down.
- Designed for POE power only.
- Line voltage connector is blocked.
- Does not require control4 back box.
- Designed for the use with C4-WALL7- touch screen (by Control 4) (touch screen is not included).
- Adapter kit contains:
  - (X1) Wall adapter;
  - (X1) Bezel;
  - (X2) Screws;
- The bezel is supplied painted black (-BL), white (-WH) or unpainted (-WO).



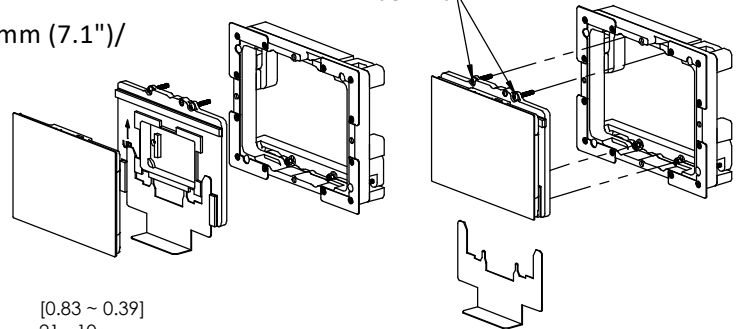
**THIS WALL MOUNT DESIGNED FOR POE POWER ONLY!  
BACK BOX NOT REQUIRED**



FOR BOARD THICKNESS OF 21mm [0.82"] TO 32mm[1.25"] REINSTALL CAM LATCHES UPSIDE DOWN

**LINE VOLTAGE CONNECTOR IS BLOCKED**

TO REMOVE THE SCREEN, GRADUALLY UNSCREW THE 4 DEPTH CALIBRATION SCREWS



#### Key properties:

- Dimensions: (W/H/D): 231.1mm (9.1")/ 180.6mm (7.1")/ 47mm (1.85")
- Weight: 2.2Kg, 4.85lbs.
- Material: Moisture resistant MDF

