



Model: WS SB FOR Control4 Contemporary Lighting square

Family: WALL-SMART

DWG NO. 007-4-374-SPC



Model No.: 007-1-374

PRODUCT SPEC.

REVISION A

DATE 10/MAR/2022

**Make Your Wall Smart**

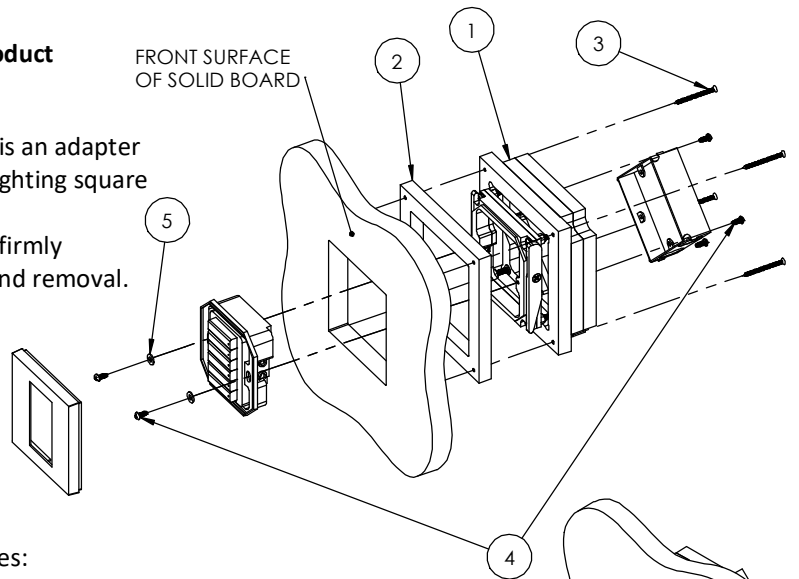
**“WS SB FOR Control4 Contemporary Lighting square - Product description:**

The “WS SB FOR Control4 Contemporary Lighting square” is an adapter for in-wall flush installation of a Control4 Contemporary Lighting keypad in solid board walls.

The “WS SB FOR Control4 Contemporary Lighting square” firmly mounts the keypad while allowing easy access, insertion and removal.

**Key features and benefits:**

- Allows easy insertion and removal.
- Flush with the wall.
- Allows easy maintenance access.
- Includes depth calibration mechanism and a spacer.
- Allowing installation in wide range of board thicknesses:  
With spacer: 8.1mm ~ 24.0mm [0.32" ~ 0.95"] thick.  
Without spacer 20.0mm ~ 35.6mm [0.79" ~ 1.4"] thick.
- Designed for the use with Control4 Contemporary Lighting square. (faceplate, devices and back box are not included)
- Use routing template as spacer.
- Installation kit contains:
  1. Wall adapter (x1)
  2. Routing template (x1)
  3. ST3x40 screws (x4)
  4. #6x5/16" Screws (x6)
  5. M4 flat washer (x2)



IN CASE OF INSTALLATION IN WOOD USE SCREWS, OTHERWISE APPLY STRUCTURAL ADHESIVE

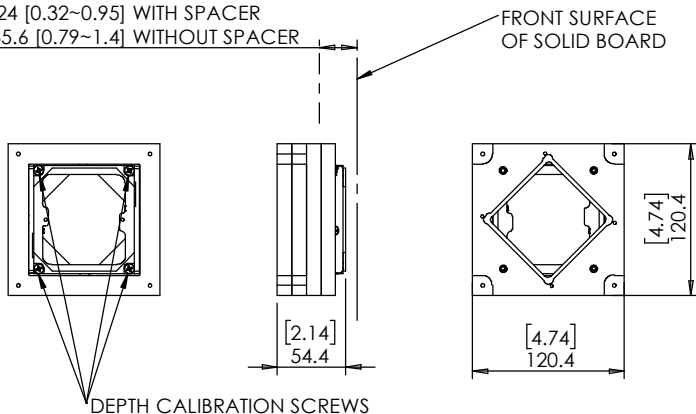
FOR BOARDS THINNER THAN 20mm [0.79"] USE ROUTING TEMPLATE AS SPACER

BS4662 1 gang 25mm Box (or equivalent)

**Key properties:**

- Dimensions (W/H/D): 120.4mm (4.74")/120.4mm (4.74")/54.4mm (2.14")
- Power Supply: None (manual adapter).
- Weight: 0.4Kg, 0.88lbs.
- Material: Moisture resistant MDF (compliant with TSCA Title VI)

SOLID BOARD THICKNESS RANGE:  
8.1 ~ 24 [0.32~0.95] WITH SPACER  
20 ~ 35.6 [0.79~1.4] WITHOUT SPACER



TO OPEN THE FACEPLATE, INSERT AND PUSH A THIN PLASTIC CARD INTO THE VERTICAL GAP ON THE BOTTOM RIGHT OR ON THE TOP LEFT CORNERS

