



Model: WS NC FOR Control4 Contemporary Lighting 2Gang

Family: WALL-SMART

DWG NO. 007-4-238-SPC



Model No.: 007-1-238

PRODUCT SPEC.

REVISION A  
DATE 13/JULY/2021

**Make Your Wall Smart**

**WS NC FOR Control4 Contemporary Lighting 2Gang - Product description:**

The “WS NC FOR Control4 Contemporary Lighting 2Gang” is an adapter for in-wall flush installation of a Control4 Contemporary Lighting 2Gang devices. The “WS NC FOR Control4 Contemporary Lighting 2Gang” firmly mounts the device while allowing easy access, insertion and removal.

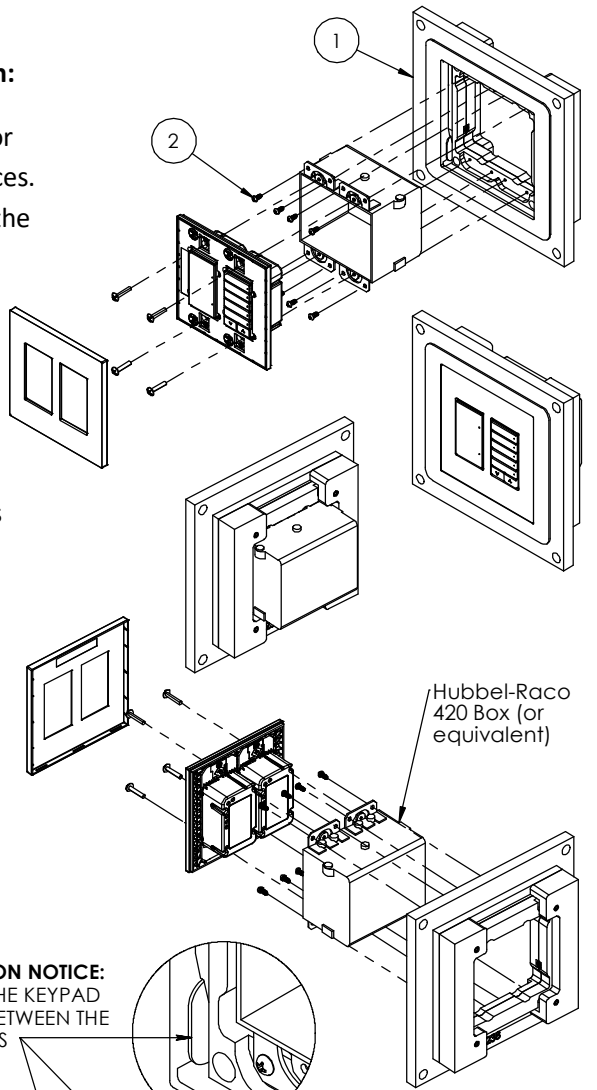
**Key features and benefits:**

- Flush with the wall.
- Paintable with the wall paint in any color and texture.
- Includes depth calibration mechanism.
- The adapter is supplied unpainted (To be painted after installation as part of the wall).
- Designed to be installed in 1/2" drywall. Installation of the Wall-Smart adapter is straight-forward. Installation process is similar to drywall construction procedures. Before installation, read Wall-Smart installation instruction 10-04-00101-INS in <http://www.wall-smart.com/faq>
- For installation in concrete/brick wall use “WS CONCRETE ADAPTER 192X200” P/N 100-1-397 (sold separately) according installation instruction 10-04-00103-INS in <http://www.wall-smart.com/faq>
- Designed for the use with Control4 Contemporary Lighting 2Gang. (faceplate, devices and back box are not included)
- Adapter kit contains:

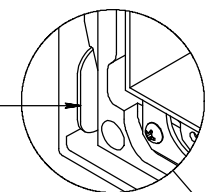
1. (X1) Wall adapter
2. (X8) #6x5/16 screws

**Key properties:**

- Dimensions (W/H/D): 198mm (7.80")/ 190mm (7.48")/ 44mm (1.73").
- Power Supply: None (manual adapter).
- Weight: 0.6Kg, 1.32lbs.
- Material: Moisture resistant MDF (compliant with TSCA Title VI).
- To be installed in 1/2" drywall (for installation in 5/8" drywall use 1/8" shim pack P/N 10-01-067 (sold separately)).



**INSTALLATION NOTICE:**  
POSITION THE KEYPAD CENTRED BETWEEN THE TWO LEVERS



TO OPEN THE FACEPLATE, INSERT AND PUSH A THIN PLASTIC CARD INTO THE VERTICAL GAP ON THE BOTTOM RIGHT OR ON THE TOP LEFT CORNERS

