



Model: WS NC FOR Control4 Contemporary Lighting 1Gang

Model No.: 007-1-237

Family: WALL-SMART

DWG NO. 007-4-237-SPC

PRODUCT SPEC.

REVISION A
DATE 13/JULY/2021



Make Your Wall Smart

WS NC FOR Control4 Contemporary Lighting 1Gang - Product description:

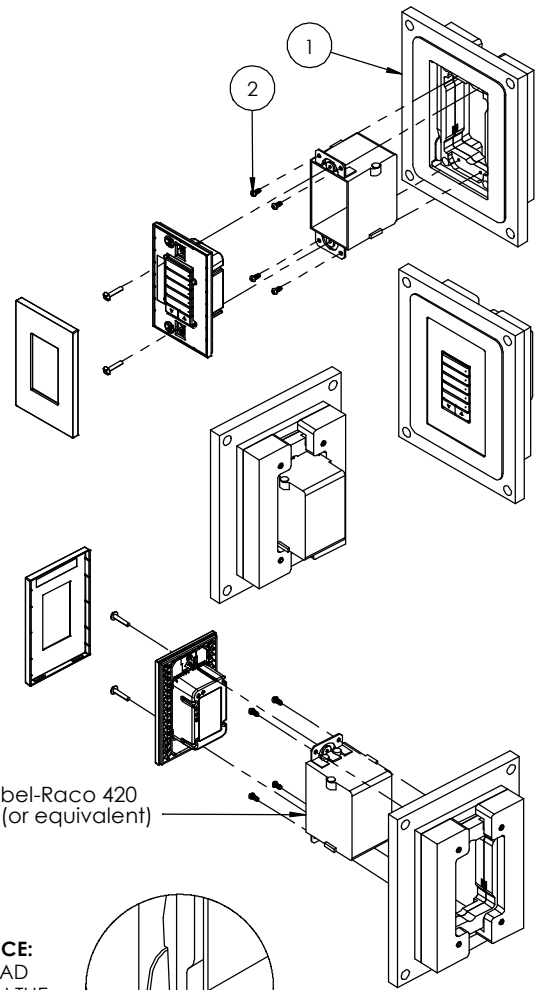
The “WS NC FOR Control4 Contemporary Lighting 1Gang” is an adapter for in-wall flush installation of a Control4 Contemporary Lighting 1Gang devices. The “WS NC FOR Control4 Contemporary Lighting 1Gang” firmly mounts the device while allowing easy access, insertion and removal.

Key features and benefits:

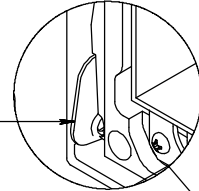
- Flush with the wall.
- Paintable with the wall paint in any color and texture.
- Includes depth calibration mechanism.
- The adapter is supplied unpainted (To be painted after installation as part of the wall).
- Designed to be installed in 1/2" drywall. Installation of the Wall-Smart adapter is straight-forward. Installation process is similar to drywall construction procedures. Before installation, read Wall-Smart installation instruction 10-04-00101-INS in <http://www.wall-smart.com/faq>
- For installation in concrete/brick wall use “WS CONCRETE ADAPTER 192X154” P/N 100-1-589 (sold separately) according installation instruction 10-04-00103-INS in <http://www.wall-smart.com/faq>
- Designed for the use with Control4 Contemporary Lighting 1Gang. (faceplate, devices and back box are not included)
- Adapter kit contains:
 1. (X1) Wall adapter
 2. (X4) #6x5/16 screws

Key properties:

- Dimensions (W/H/D): 152mm (5.98")/ 190mm (7.48")/ 44mm (1.73").
- Power Supply: None (manual adapter).
- Weight: 0.4Kg, 0.88lbs.
- Material: Moisture resistant MDF (compliant with TSCA Title VI).
- To be installed in 1/2" drywall (for installation in 5/8" drywall use 1/8" shim pack P/N 10-01-067 (sold separately)).



INSTALLATION NOTICE:
POSITION THE KEYPAD
CENTERED BETWEEN THE
TWO LEVERS



TO OPEN THE FACEPLATE, INSERT
AND PUSH A THIN PLASTIC CARD
INTO THE VERTICAL GAP ON THE
BOTTOM RIGHT OR ON THE TOP
LEFT CORNERS

