



Model: WS NC V2 FOR C4 T3 7"

Model No.: 007-1-490

Family: WALL-SMART

DWG NO. 007-04-490-SPC

PRODUCT SPEC.

REVISION A

DATE 22/Feb./2019



### Make Your Wall Smart

#### "WS NC V2 FOR C4 T3 7"" - Product description:

The "WS NC V2 FOR C4 T3 7"" is an adapter for in-wall flush installation of T3 Control 4 7" touch screen.

The "WS NC V2 FOR C4 T3 7"" firmly mounts the touch screen while allowing easy access, insertion and operation.

FOR LOW VOLTAGE (POE) ONLY

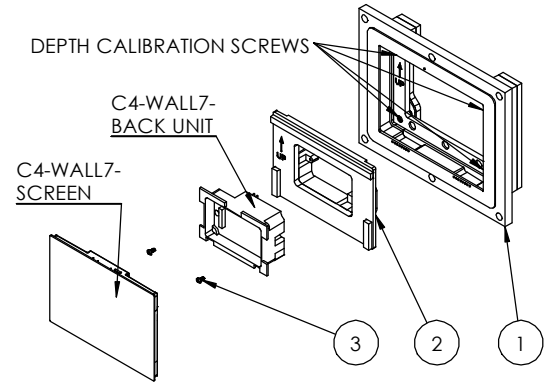
#### Key features and benefits:

- Flush with the wall.
- Paintable with the wall paint in any color and texture.
- Allows easy insertion and removal of the touch screen.
- The adapter is supplied unpainted (To be painted after installation as part of the wall).
- Designed to be installed in 1/2" drywall. Installation of the Wall-Smart adapter is straight-forward. Installation process is similar to drywall construction procedures. Before installation, read Wall-Smart installation instruction 10-04-00101-INS in <http://www.wall-smart.com/faq>
- For installation in concrete/block wall use "CONCRETE ADAPTOR 490" P/N 100-1-492 (sold separately) according installation instruction 10-04-00103-INS in <http://www.wall-smart.com/faq>
- Designed for the use with C4-WALL7- touch screen (by Control4) (touch screen and back box not included).
- Adapter kit contains:
  1. Wall adapter;
  2. Screen adapter;
  3. (X2) #6x5/16" screws;

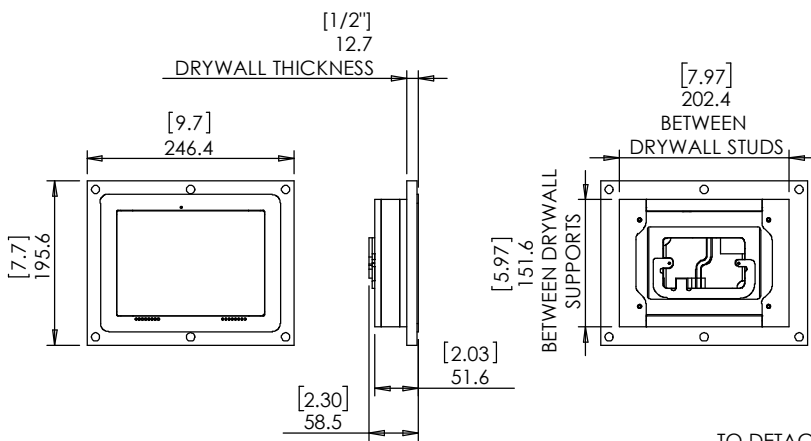
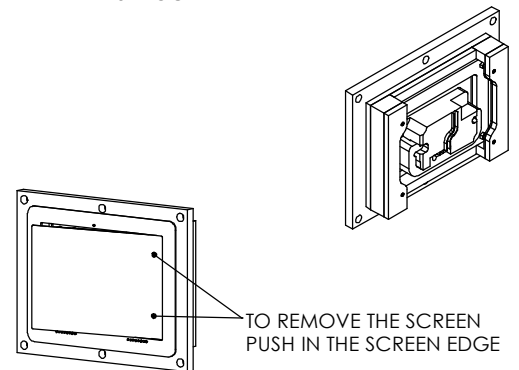
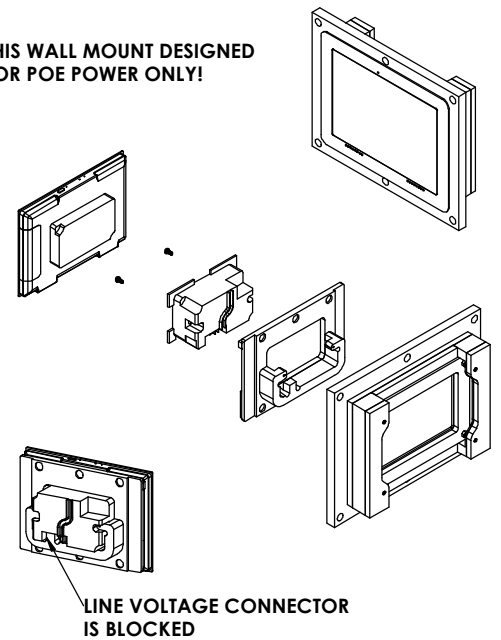
#### Key properties:

- Dimensions (W/H/D): 246.4mm (9.7")/ 195.6mm (7.7")/ 51.6mm (2.03")
- Power Supply: None (manual adapter).
- Weight: 0.75Kg, 1.65lbs.
- Material: Moisture resistant MDF
- To be installed in 1/2" drywall (for installation in 5/8" drywall use 1/8" shim pack P/N 10-01-067 (sold separately)).

#### C4-NWB57C-P BACK BOX NOT REQUIRED



#### THIS WALL MOUNT DESIGNED FOR POE POWER ONLY!



TO DETACH SCREEN USE CONTROL4 TOOL