



Model: WS Tile Mount for Basalte 2Gang Universal Frame

Family: WALL-SMART

DWG NO. 003-4-431-SPC



Model No.: 003-1-431

PRODUCT SPEC.

REVISION A

DATE 25/Sept./2019

Make Your Wall Smart

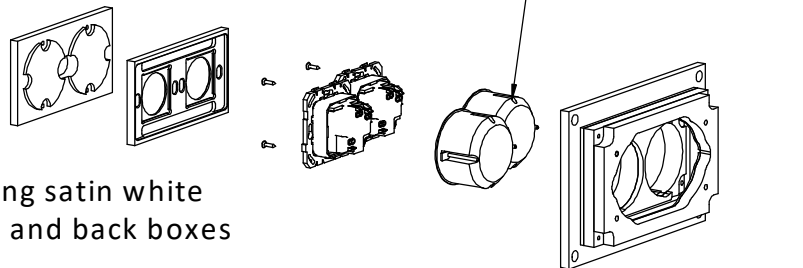
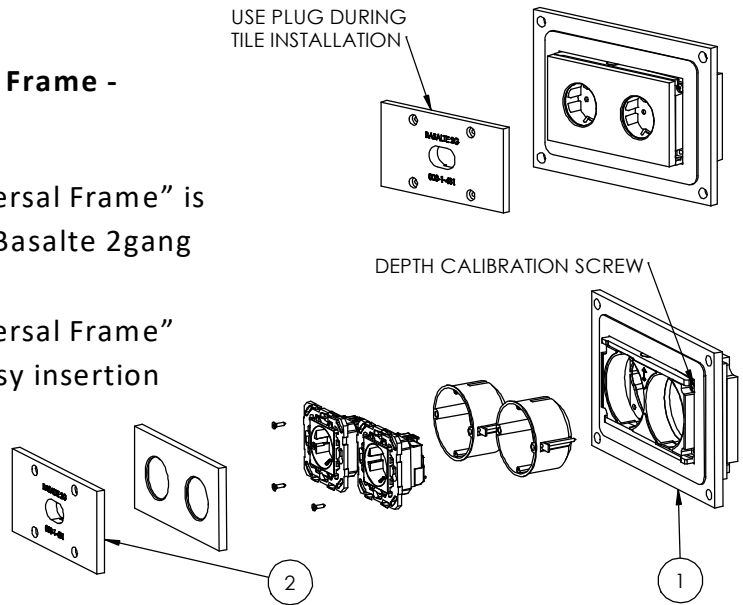
WS Tile Mount for Basalte 2Gang Universal Frame - Product description:

The "WS Tile Mount for Basalte 2Gang Universal Frame" is an adapter for in-wall flush installation of a Basalte 2gang universal faceplate in a tile wall.

The "WS Tile Mount for Basalte 2Gang Universal Frame" firmly mounts the devices while allowing easy insertion and removal.

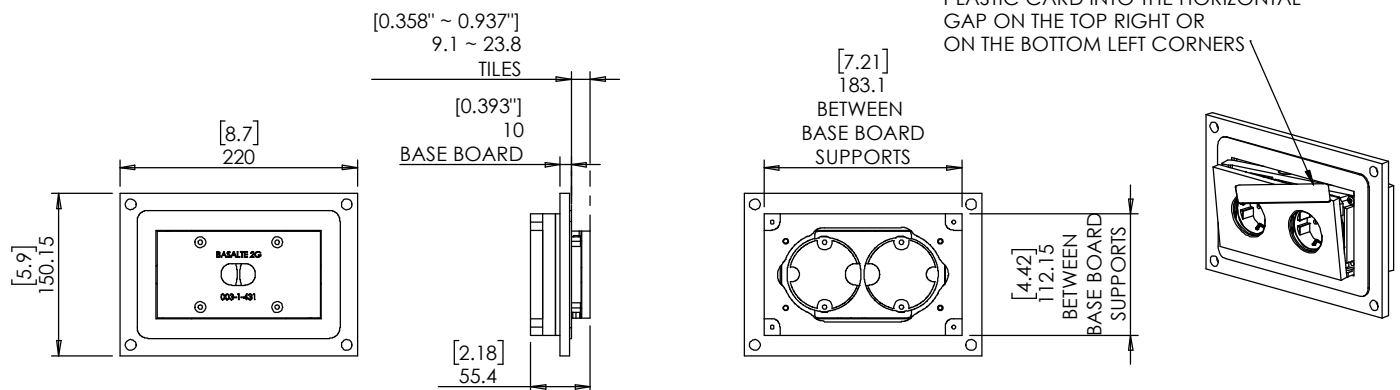
Key features and benefits:

- Allows easy insertion and removal of the keypad by pushing a thin plastic card into the horizontal gap on the top right or on the bottom left corners.
- Designed to be installed in 10mm (0.39") thick base board and 9.1mm up to 23.8 (0.36" – 0.937") thick tiles above the base board.
- Installation kit contain:
X1 wall adaptor (item #1)
X1 plug (item #2)
- Designed for the use with Basalte 2Gang satin white universal faceplate (faceplate, sockets and back boxes are not included).



Key properties:

- Dimensions (W/H/D): 220mm (8.7")/ 150.15mm (5.9")/ 55.4mm (2.18")
- Power Supply: None (manual adapter).
- Weight: 0.6Kg, 1.32lbs.
- Material: Moisture resistant MDF



TO OPEN THE FACEPLATE INSERT AND PUSH A THIN PLASTIC CARD INTO THE HORIZONTAL GAP ON THE TOP RIGHT OR ON THE BOTTOM LEFT CORNERS