



Model: WS Tile Mount for Basalte 2Gang Universal Frame

Family: WALL-SMART

DWG NO. 003-4-427-SPC



Model No.: 003-1-427

PRODUCT SPEC.

REVISION A

DATE 25/Sept./2019

Make Your Wall Smart

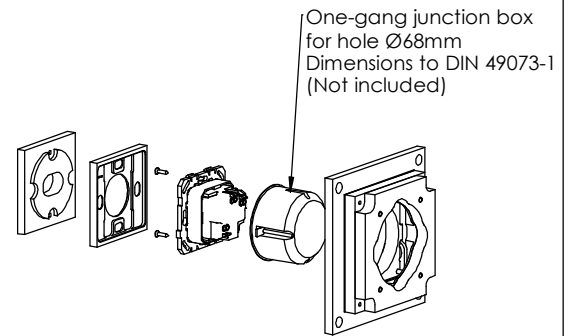
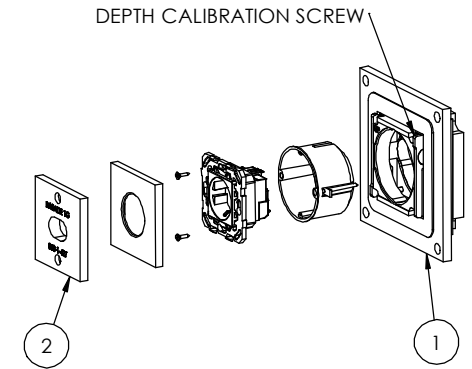
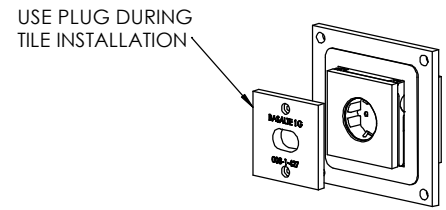
WS Tile Mount for Basalte 1Gang Universal Frame - Product description:

The "WS Tile Mount for Basalte 1Gang Universal Frame" is an adapter for in-wall flush installation of a Basalte 1gang universal faceplate in a tile wall.

The "WS Tile Mount for Basalte 1Gang Universal Frame" firmly mounts the device while allowing easy insertion and removal.

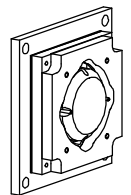
Key features and benefits:

- Allows easy insertion and removal of the device by pushing a thin plastic card into the vertical gap on the bottom right or on the top left corners.
- Designed to be installed in 10mm (0.39") thick base board and 9mm up to 22.7 (0.35" – 0.89") thick tiles above the base board.
- Installation kit contain:
X1 wall adaptor (item #1)
X1 plug (item #2)
- Designed for the use with Basalte 1Gang satin white universal faceplate (faceplate, sockets and back boxes are not included).



Key properties:

- Dimensions (W/H/D): 148.1mm (5.8")/ 148.1mm (5.8")/ 51.2mm (2.02")
- Power Supply: None (manual adapter).
- Weight: 0.4Kg, 0.88lbs.
- Material: Moisture resistant MDF



TO OPEN THE FACEPLATE INSERT AND PUSH A THIN PLASTIC CARD INTO THE VERTICAL GAP ON THE BOTTOM RIGHT OR ON THE TOP LEFT CORNERS

